



PIVOT
CYCLES

SUSPENSION SETUP GUIDE

For your Pivot suspension equipped bike to pedal and descend at its best, it is important to set up the suspension properly. Use this guide to familiarize yourself with the Pivot suspension setup procedures and as a baseline for tuning to your individual riding needs. This is a comprehensive guide that covers the different suspension offerings we have on each of our bike models.

TABLE OF CONTENTS

1. General Information on Suspension Setup	2
2. Fox Float DPS, Float, Float SL, & Float X	3
Setting Sag on Fox Float DPS, Float, Float SL, & Float X	3
Setting Damping Adjustments on Fox Float DPS, Float, & Float SL	4
Setting Damping Adjustments on Fox Float X	5
3. Fox Float X2	6
Setting Sag on Fox Float X2	6
Damping Adjustment on Fox Float X2	6
Setting Damping Adjustment on Fox Float X2	7
Rebound & Compression Damping Setting Table for Fox Float X2	7
4. 2026 Fox Float X2	8
Setting Sag on 2026 Fox Float X2	8
Damping Adjustment on 2026 Fox Float X2	8
Setting Damping Adjustment on 2026 Fox Float X2	9
Rebound & Compression Damping Setting Table for 2026 Fox Float X2	9
5. Coil Shocks	10
Setting Sag on Coil Shocks	10
Phoenix Coil and Progressivity Flip Chip	11
Damping Adjustment on Fox DHX2 Coil	12
Rebound & Compression Damping Setting Table for Fox DHX2 Coil	12
6. Fox Float Air Fork	13
Setting Sag on Fox Float Air Fork	13
Setting FIT4 Damping Adjustment on Fox Float Air Fork	14
Setting GRIP Damping Adjustment on Fox Float Air Fork	15
Setting GRIP2 Damping Adjustment on Fox Float Air Fork	16
Setting GRIP SL Damping Adjustment on Fox Float Air Fork	17
Setting GRIP X Damping Adjustment on Fox Float Air Fork	18
Setting GRIP X2 Damping Adjustment on Fox Float Air Fork	19
My Settings & Notes	20

1. General Information on Suspension Setup



Assistance, Terms, Tools and Pivot Details

In this setup guide, a few terms come up that we want to briefly explain:

Sag: Sag is measured in millimeters or given as a percentage of the overall travel. Sag describes how far your bike will compress under your weight, when the bike is at rest. Proper sag is critical to provide the best riding experience.



Scan to visit the Pivot Pro Garage with step by step videos for sag setup and other bike setup.

Equalize: When making changes to the air pressure in a shock or fork you will want to slowly cycle it through 25% of its travel 10 times. This will equalize the positive and negative air chambers for proper sag air pressures and performance.

Adjusters: Most shocks and forks have knobs, dials, or levers that allow for adjustments of the settings. Many are tool-free and adjustable by hand, others require a wrench to make changes.

Click: Adjusters on suspension usually feature an indication, that you can feel or hear, when turning the dial. These clicks make it easy to index your adjustments.

Rebound: Rebound controls the speed your fork or shock extend after being compressed. Rebound adjusters on almost all suspension products are *red*. The fully open position (fastest extension) can be reached by turning counter-clockwise or to "-". Adjust to the fully closed position (slowest extension) by turning clockwise or to "+". Your rebound should be set based on the air pressure you use to achieve proper sag.

Compression: Compression controls how the fork or shock feel and react to bumps or weight shifts. Compression adjusters are *blue* and *black* for all Fox products and *golden* or *black* for Marzocchi suspension. The fully open position can be reached by turning counter-clockwise or to "-". Adjust to the fully closed position by turning clockwise or to "+" or "FIRM".

Low-Speed: Low speed damping works for loads that result in low shaft speeds at compression or extension. Changes to low speed adjusters are useful to control performance during rider weight shifts, G-outs, pedaling and other slow inputs.

High-Speed: High speed damping works for loads that result in high shaft speeds at compression or extension. Changes to high speed adjusters are useful to control performance during bigger hits, landings, and square-edged bumps.

Tools:

To set up your suspension, you only need a few tools. Most importantly, you will need a shock pump for bike suspension to set sag. Damping adjustments on Fox and Marzocchi forks, as well as Fox Float and Float X will not require tools. 2 mm, 3 mm, and 6 mm allen keys are needed for setting up Fox Float X2 and DHX2 shocks. To set up sag on coil shocks, you will need a tape measure. For a spring change on coil shocks you need to take the shock off the bike using the dedicated tools and a bike stand.

Pivot Details:

Most Pivot bikes feature our **sag indicator** mounted on the rear shock. This is a helpful tool we created to make setting and checking your sag quick and easily. Follow the sag process and line up the o-ring on your shock with the indicator and you are set.

Our set-up guide may differ slightly from Fox's guidelines because our settings are calibrated in the rocky southwest terrain. Consider these recommendations as a starting point. If you are riding on steeper terrain, or smoother trails, you may want to alter your setup. You can use the last page of this guide to record your settings and make notes to dial in your perfect setup!

In general always follow this procedure, when adjusting your suspension:

1. Set Sag
2. Adjust Rebound
3. Adjust Compression

Before setting sag, it is necessary to turn all adjusters to the fully open position. Pivot counts the clicks from the fully open position, because that way, you won't need to turn all adjusters to the fully closed position again. This will save some time, that you can spend riding instead. Another reason is it is easy to damage the shock or fork adjustments when turning the adjuster all the way in. It can feel like there is an "extra" 1/2 click that doesn't exist. This can break the adjustments and requiring service or repair. Fox suspension set up guides always count clicks from closed. We reference clicks from open and closed in our setup charts in this guide.

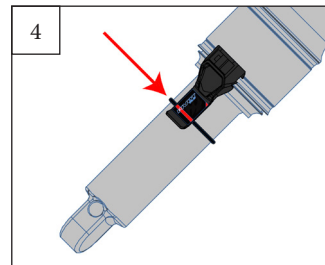
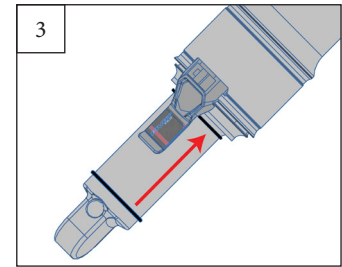
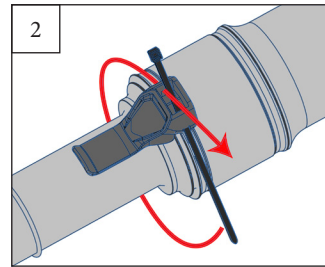
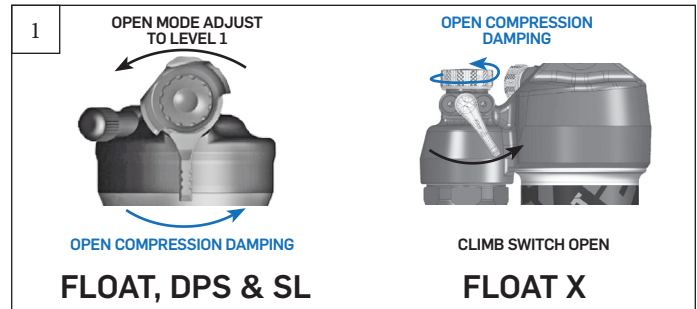
Refer to www.ridefox.com for details on your bike's suspension product. Your fork and shock have a QR code on them that when scanned will give you specific details for setup, service, and parts.

2. Fox Float, Float DPS, Float SL, & Float X



Setting Sag on Air Shocks

1. Always set sag with any **blue** compression adjusters to the open position. (fig. 1)
2. If your shock has additional compression and rebound adjustments ensure they are adjusted to be fully open, compression to the softest setting, and rebound to its fastest setting (all the way counter-clockwise).
3. If it is not installed already, attach the sag indicator to the bottom of the shock body using the provided zip-tie and carefully cut the excess. (fig. 2)
4. Find a level surface and something to steady yourself while mounted on the bike so you can be on the pedals in a seated position. It may be easier to have a partner hold your bike steady from the front, by holding the handlebars while you are in your riding position.
5. While standing on the pedals, sit down hard into the saddle to cycle the suspension well into the stroke. This will ensure the bike comes to rest at the natural sag setting with the rider in the saddle.
6. While in the saddle and not moving, slide the O-ring up into position against the air can. (fig. 3)
7. Once the O-ring is set in place, gently step off the bike without compressing the bike as not to move the O-ring.
8. Make adjustments to the sag by removing or adding air so that steps 4-7 result in the O-ring lining up with the **red** line on the sag indicator (fig. 4). **Do not exceed the maximum air pressure indicated on your shock.* When adjusting air pressure in the shock, cycle the shock at least 25% into its travel before re-checking sag, so the negative air chamber equalizes pressure with the main chamber each time air is added or removed. You can do this by pushing down on the saddle several times to compress the shock past the sag point.
9. Some of our models feature a sag indicator with both a **blue** line (RACE) and a **red** line (TRAIL). You can set the sag anywhere in this range to achieve a firmer or plusher overall feel depending on rider preference.



WARNING: Make sure the sag indicator does not contact the frame or linkage through the suspension cycle. Otherwise, the indicator may break while riding.

If there is no sag indicator on the shock, use the measurements listed below to determine sag. Different models and sizes of Pivot bikes use different length shocks and therefore require different sag settings.

Indicator A* Sag: 0.74" (18.8mm)*	Indicator B Sag: 0.65" (16.5mm)	Indicator C Sag: 0.49" (12.4mm)	Indicator D Sag: 0.55" (14.0mm)
Bikes: <ul style="list-style-type: none"> • Firebird V3-V5* • Firebird 29* • Firebird 27.5* • Mach 5.7 • Mach 5: M-XL • Mach 6 (V1-V5)* • Mach 6 Alloy* • Shuttle LT* 	Bikes: <ul style="list-style-type: none"> • Mach 5.5 • Mach 5.7 Carbon • Mach 4: S-XL (2010 & Older) • Mach 5: XS-S • Mach 429 Alloy • Switchblade (All Versions) • Shuttle AM • Shuttle SL • Shuttle SL+AM • Shadowcat • Trailcat LT 	Bikes: <ul style="list-style-type: none"> • Mach 4: XXS-XS • Mach 4 SL (V1-V2) • Mach 4 SL V3 190x40 	Bikes: <ul style="list-style-type: none"> • Mach 4: S-XL (2011 & Newer) • Mach 429 Carbon • Mach 429 SL • Mach 429 Trail • Mach 4 SL V3 190x45 (setting sag to the blue line is recommended) • Trail429 (V2-V3) • Trailcat SL



*Sag Measurement: 0.76" (19.5mm); set between the red line and the end of the indicator



Rebound Damping

Setting rebound is dependent on air pressure. For example, higher air pressures require slower rebound setting. We set rebound from the most open or fastest position, so start by turning the **red** rebound adjuster counter-clockwise all the way open. Refer to the table on the right for the suggested rebound setting based on the air pressure you have in your shock to achieve the correct sag. The **bold** numbers in the chart refer to how many clicks clockwise from the open setting. *Fox suspension set up guides always show rebound setting counted from the closed position, so the table includes this as well in parentheses.*



-  Rotate counter-clockwise for faster extension after compression
-  Rotate clockwise for slower extension after compression

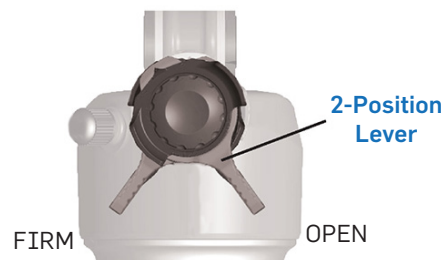
Suggested Rebound Setting Float & Float SL	
Air Pressure [psi]	Clicks from OPEN (Clicks from CLOSED)
<100	OPEN
100-120	3 (11)
120-140	4 (10)
140-160	5 (9)
160-180	6 (8)
180-200	7 (7)
200-220	8 (6)
220-240	9 (5)
240-260	10 (4)
260-280	11 (3)
280-300	CLOSED

Compression Damping

All dw-link® equipped Pivot bikes pedal efficiently, so we use the compression lever as a tuning tool for rider weight and compression support. All bikes can be run with the **blue** lever in full open and perform very well.

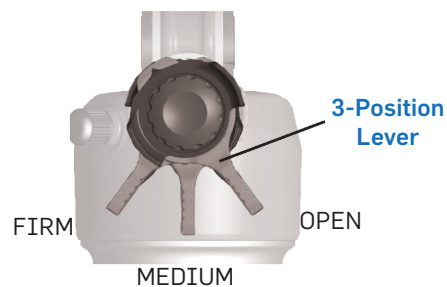
2-Position Lever

On Float shocks there is a two-position lever to select between open and firm. The firm setting is great for your ride to the trail, long fire road climbs, and smooth XC race courses where a more locked out feel is desired.



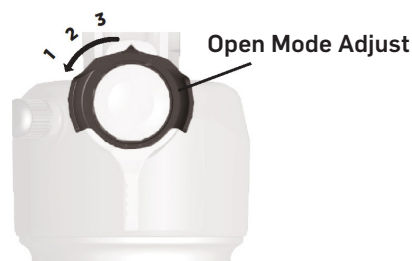
3-Position Lever

The Float DPS & SL shocks features a three-position lever offering open, medium, and firm settings. Lighter riders under 160lb. will generally run in the full open position most of the time. Riders in the 190lb.+ range and more aggressive riders who like the feel of more mid-stroke support will generally prefer the middle setting. The firm setting is great for your ride to the trail, long fire road climbs, and smooth XC race courses where a more locked out feel is desired.



Open Mode Adjust

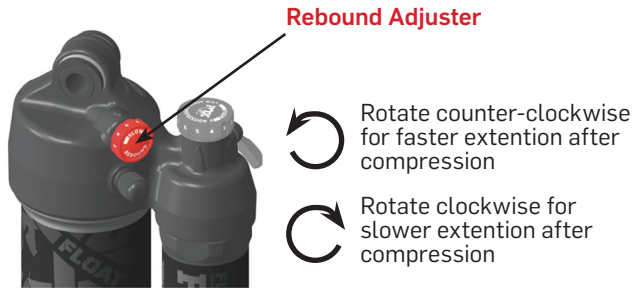
All Factory Series Float shocks feature three additional options that affect the open setting via the **black** adjuster. This knob needs to be lifted slightly to turn to one of the three designated options. #1 is the most open, or least amount of compression damping, and #3 is the firmest (but still slightly less firm than the middle position of the **blue** lever). You can experiment with all of these options to find the setting that provides the best compression support and plush feel for your weight and riding style. Other than running in the full firm mode on rocky descents, all settings are designed to work well in a wide variety of terrain and rider weights.





Rebound Damping

Setting rebound is dependent on air pressure. For example, higher air pressures require slower rebound setting. We set rebound from the most open or fastest position, so start by turning the **red** rebound adjuster counter-clockwise all the way open. Refer to the table on the right for the suggested rebound setting based on the air pressure you have in your shock to achieve the correct sag. The **bold** numbers in the chart refer to how many clicks clockwise from the open setting. *Fox sets rebound from the closed position, so that has been provided in the table in parentheses.*

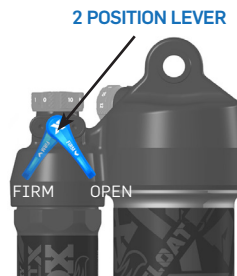


Suggested Rebound Setting Float X	
Air Pressure [psi]	Clicks from OPEN (Clicks from CLOSED)
<120	3 (9)
120-140	4 (8)
140-160	5 (7)
160-180	6 (6)
180-200	7 (5)
200-220	8 (4)
220-240	9 (3)
240-260	10 (2)
260-280	11 (1)
280-300	CLOSED

Compression Damping

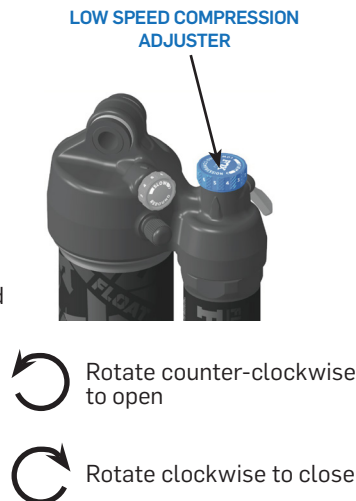
2-Position Lever

Float X shocks feature a two position lever that allows for on-the-fly adjustment between fully open and firm for climbing. For most riding conditions it is best to have the lever open. As with the other shocks, the firm setting is best suited for long fire road climbs and smooth XC courses.



Low Speed Compression Adjuster

The Factory Series Float X features a **blue** low speed compression adjustment knob, which can be used to fine tune the open mode of the compression damping. This knob offers 10 additional fine tune adjustment settings to the open mode. Turning the knob clockwise will increase low speed compression damping. Turning the knob counter-clockwise will decrease low speed compression damping. You can experiment with all of these options to find the setting that provides the best compression support and plushiest feel for your weight and riding style. Refer to the table on the right for suggested starting settings.



Suggested Compression Settings Float X	
Rider Weight	Clicks from OPEN (Clicks from CLOSED)
<120 [lbs] <54 [kg]	OPEN
140-150 [lbs] 63-68 [kg]	1 (9)
150-160 [lbs] 68-72 [kg]	2 (8)
160-170 [lbs] 72-77 [kg]	3 (7)
170-180 [lbs] 77-81 [kg]	4 (6)
180-190 [lbs] 81-86 [kg]	5 (5)
190-200 [lbs] 86-90 [kg]	6 (4)
200-210 [lbs] 90-95 [kg]	7 (3)
210-220 [lbs] 95-100 [kg]	8 (2)
220-230 [lbs] 100-104 [kg]	9 (1)
>230 [lbs] >104 [kg]	CLOSED

3. Fox Float X2



Setting Sag on Fox Float X2

Start by setting sag using the same process as the shocks on page 2. There is no sag indicator on the Float X2 shock. Use the measurements listed below to determine sag. Different models and sizes of Pivot bikes use different length shocks and therefore require different sag settings. For bike models not shown here refer to sag measurements found on page 2. The bike models for each sag setting are listed under the respective diagrams. Though the X2s don't have sag indicators for reference the Phoenix's sag is correct when the o-ring is lined up with the end of the reservoir and the Firebird, and Mach 6 are at proper sag the o-ring will be lined up with bottom of the reservoir can on current model shocks. Both of these are represented in the diagrams below.



205x65
Mach 6
Firebird



225x75
Phoenix

Damping Adjustment on Fox Float X2

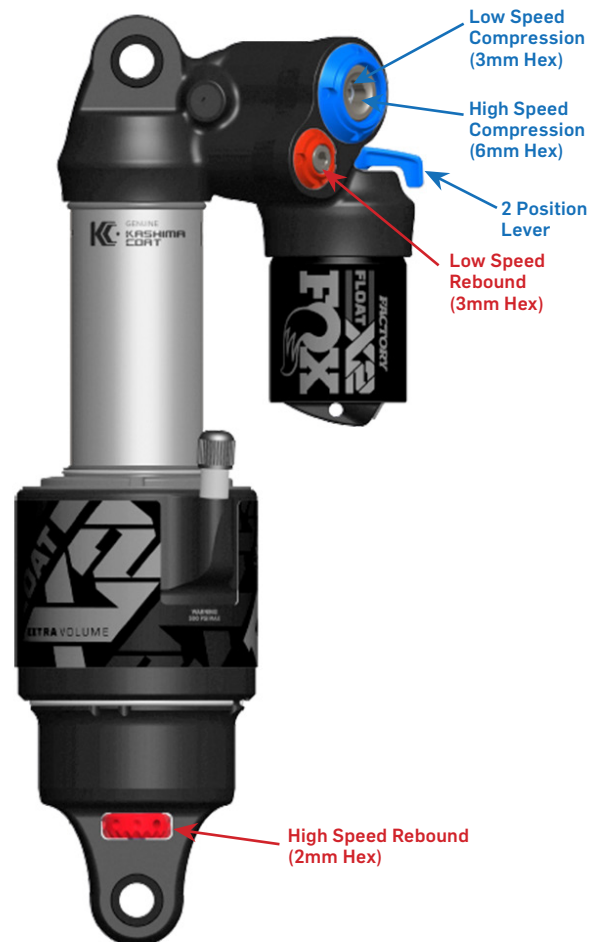
The X2 air shock has tuning options well beyond the scope of what we can cover here. Not only can the shock be tuned through the use of the HSC, LSC, HSR, and LSR adjusters, but it can also be tuned via the amount of air pressure in the shock and the addition or removal of air volume spacers to change the spring curve characteristics. We have settled on an air spring curve that has proven to be optimized for a wide range of riders from a sport level to our World Cup DH team, so changing the Pivot factory air spring curve characteristics is not really necessary.

We recommend 30% sag on the Float X2 Air. Based on this sag setting you can record your air pressure and use Fox's tuning chart on the next page to set your High Speed Compression damping (HSC), Low Speed Compression damping (LSC), High Speed Rebound damping (HSR), and Low Speed Rebound damping (LSR). These settings are also applicable to Performance series Float X2 air shocks that feature only the LSC and LSR adjustments. The numbers in the chart refers to how many clicks clockwise from the open setting the adjusters should be set. *Fox sets up shocks from the closed position, so that has been provided in parentheses.*

The diagram to the right shows the locations of each adjustment knob on the X2 shock.

2-Position Lever

X2 shocks feature a two position lever allows for on-the-fly adjustment between fully open and firm for climbing. For most riding conditions it is best to have the lever open. As with the other shocks, the firm setting is best suited for long fire road climbs and smooth XC courses.



Setting Damping Adjustment on Fox Float X2



In general, we are running the rebound settings at the slower end of the range provided at each pressure and the compression settings at the lighter end of the provided range. For example, if you are running 200 psi in the shock, the range for LSR is listed as 6-8 clicks in from open; We recommend starting at 8. For HSR the range is 4-5 clicks in from open; We recommend starting at 5. On the compression side for LSC, at 200 psi in the shock, the range is 1-2 clicks in from open; We recommend starting at 1 clicks in. For HSC the range is 1-2 clicks in from open; We recommend starting at 1. If you follow this same process for the pressure that you are running then you'll have an excellent starting set up that may not require any further adjustment. The **bold** numbers in the chart refer to how many clicks clockwise from the open setting the dials should be set. *Fox sets up shocks from the closed position, so that has been provided in parentheses.*

For further detail, Fox provides a complete tuning guide for the Float X2 Air shock on their website at www.ridefox.com

Rebound & Compression Damping Settings Table for Fox Float X2

SUGGESTED SETTINGS FOX FLOAT X2				
Air Spring Pressure [psi]	Baseline LSR (3mm hex)	Baseline HSR (2mm hex)	Baseline LSC (3mm hex)	Baseline HSC (6mm hex)
	Clicks from OPEN (Clicks from CLOSED)			
90	OPEN-2 (14-16)	OPEN-1 (7-8)	OPEN (16)	OPEN-1 (7-8)
100	OPEN-2 (14-16)	OPEN-1 (7-8)	OPEN (16)	OPEN-1 (7-8)
110	1-3 (13-15)	1-2 (6-7)	OPEN-1 (16)	OPEN-1 (7-8)
120	1-3 (13-15)	1-2 (6-7)	OPEN-1 (16)	OPEN-1 (7-8)
130	2-4 (12-14)	2-3 (5-6)	OPEN-1 (16)	OPEN-1 (7-8)
140	3-5 (11-13)	2-3 (5-6)	OPEN-1 (16)	OPEN-1 (7-8)
150	4-6 (10-12)	2-3 (5-6)	OPEN-1 (16)	OPEN-1 (7-8)
160	4-6 (10-12)	3-4 (4-5)	OPEN-1 (16)	OPEN-1 (7-8)
170	5-7 (9-11)	3-4 (4-5)	1-2 (14-15)	1-2 (6-7)
180	5-7 (9-11)	3-4 (4-5)	1-2 (14-15)	1-2 (6-7)
190	6-8 (8-10)	4-5 (3-4)	1-2 (14-15)	1-2 (6-7)
200	6-8 (8-10)	4-5 (3-4)	1-2 (14-15)	1-2 (6-7)
210	7-9 (7-9)	4-5 (3-4)	1-2 (14-15)	1-2 (6-7)
220	7-9 (7-9)	4-5 (3-4)	1-2 (14-15)	1-2 (6-7)
230	8-10 (6-8)	4-5 (3-4)	1-2 (14-15)	1-2 (6-7)
240	8-10 (6-8)	5-6 (2-3)	2-3 (13-14)	2-3 (6-5)
250	9-11 (5-7)	5-6 (2-3)	2-3 (13-14)	2-3 (6-5)
260	10-12 (4-6)	6-7 (1-2)	2-3 (13-14)	2-3 (6-5)
270	11-13 (3-5)	6-7 (1-2)	2-3 (13-14)	2-3 (6-5)
280	12-14 (2-4)	6-7 (1-2)	3-4 (12-13)	3-4 (4-5)
290	13-15 (1-2)	7-8 (0-1)	3-4 (12-13)	3-4 (4-5)
300	14-16 (0-2)	7-8 (0-1)	4-5 (11-12)	4-5 (3-4)

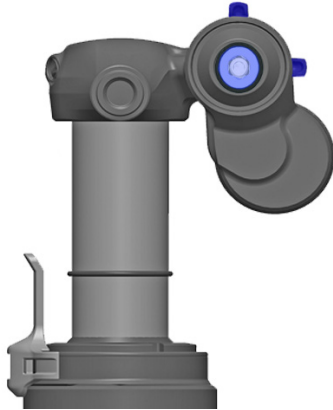
4. 2026 Fox Float X2



Setting Sag on the 2026 Fox Float X2

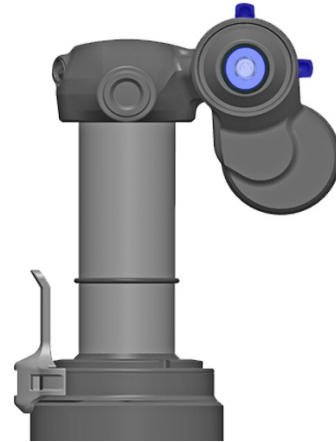
Start by setting sag using the same process as the shocks on page 2. For the Firebird and the Mach 6 align the o-ring with the red line on the sag indicator. For the Phoenix, align the o-ring between the red line and the end of the indicator. If you do not have a sag indicator, you can use the measurements listed below to determine sag. Different models and sizes of Pivot bikes use different length shocks and therefore require different sag settings. For bike models not shown here refer to sag measurements found on page 2.

19-20mm



205x65
Mach 6
Firebird

22-23mm



225x75
Phoenix

Damping Adjustment on 2026 Fox Float X2

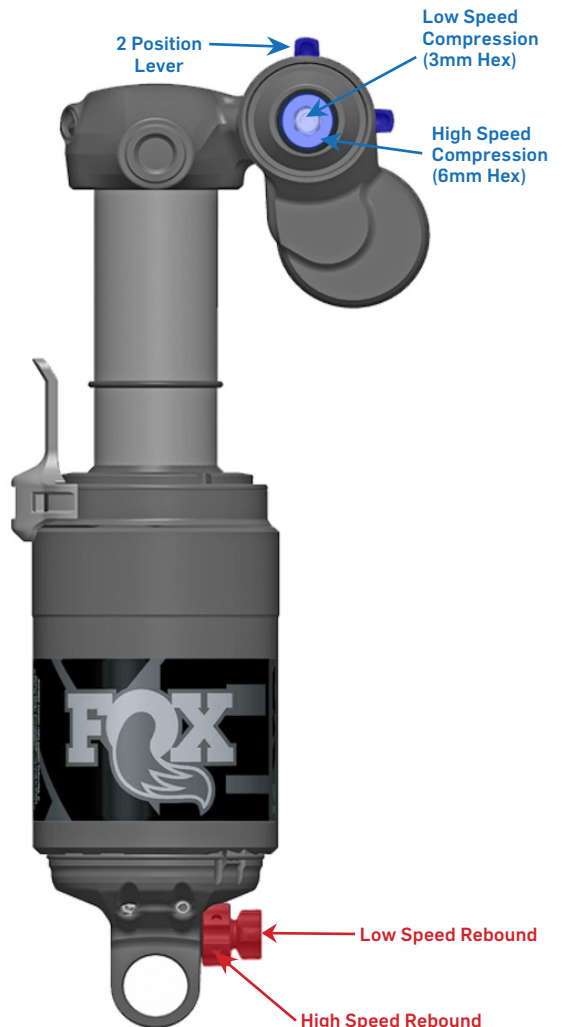
The X2 air shock has tuning options well beyond the scope of what we can cover here. Not only can the shock be tuned through the use of the HSC, LSC, HSR, and LSR adjusters, but it can also be tuned via the amount of air pressure in the shock and the addition or removal of air volume spacers to change the spring curve characteristics. We have settled on an air spring curve that has proven to be optimized for a wide range of riders from a sport level to our World Cup DH team, so changing the Pivot factory air spring curve characteristics is not really necessary.

We recommend 30% sag on the Float X2 Air. Based on this sag setting you can record your air pressure and use the tuning chart on the next page to set your High Speed Compression damping (HSC), Low Speed Compression damping (LSC), High Speed Rebound damping (HSR), and Low Speed Rebound damping (LSR). These settings are also applicable to Performance series Float X2 air shocks that feature only the LSC and LSR adjustments.

The diagram to the right shows the locations of each adjustment knob on the X2 shock.

2-Position Lever

X2 shocks feature a two position lever allows for on-the-fly adjustment between fully open and firm for climbing. For most riding conditions it is best to have the lever open. As with the other shocks, the firm setting is best suited for long fire road climbs and smooth XC courses.



Setting Damping Adjustment on 2026 Fox Float X2



In general, we are running the rebound settings at the slower end of the range provided at each pressure and the compression settings at the lighter end of the provided range. For example, if you are running 210 psi in the shock, the range for LSR is listed as 7-9 clicks in from open; We recommend starting at 9. For HSR the range is 4-5 clicks in from open; We recommend starting at 5. On the compression side for LSC, at 210 psi in the shock, the range is 6-7 clicks in from open; We recommend starting at 6 clicks in. For HSC the range is 3-4 clicks in from open; We recommend starting at 3. If you follow this same process for the pressure that you are running then you'll have an excellent starting set up that may not require any further adjustment. The **bold** numbers in the chart refer to how many clicks clockwise from the open setting the dials should be set. *Fox sets up shocks from the closed position, so that has been provided in parentheses.*

For further detail, Fox provides a complete tuning guide for the Float X2 Air shock on their website at www.ridefox.com

Rebound & Compression Damping Settings Table for 2026 Fox Float X2

SUGGESTED SETTINGS 2026 FOX FLOAT X2				
Air Spring Pressure [psi/bar]	Baseline LSR	Baseline HSR	Baseline LSC (3mm hex)	Baseline HSC (6mm hex)
	Clicks from OPEN (Clicks from CLOSED)			
<100 psi <6.9 bar	OPEN-2 (14-16)	OPEN-1 (7-8)	OPEN-2 (14-16)	OPEN-1 (7-8)
100-120 psi 6.9-8.3 bar	1-3 (13-15)	1-2 (6-7)	3-5 (11-13)	OPEN-1 (7-8)
120-140 psi 8.3-9.7 bar	2-4 (12-14)	2-3 (5-6)	3-5 (11-13)	1-2 (6-7)
140-160 psi 9.7-11 bar	3-5 (11-13)	2-3 (5-6)	6-7 (9-10)	1-2 (6-7)
160-180 psi 11-12.4 bar	5-7 (9-11)	3-4 (4-5)	6-7 (9-10)	2-3 (5-6)
180-200 psi 12.4-13.8 bar	7-9 (7-9)	3-4 (4-5)	6-7 (9-10)	2-3 (5-6)
200-220 psi 13.8-15.2 bar	8-10 (6-8)	4-5 (3-4)	6-7 (9-10)	3-4 (4-5)
220-240 psi 15.2-16.5 bar	9-11 (5-7)	4-5 (3-4)	6-7 (9-10)	3-4 (4-5)
240-260 psi 16.5-17.9 bar	10-12 (4-6)	4-5 (3-4)	8-9 (7-8)	5-6 (4-5)
260-280 psi 17.9-19.3 bar	11-13 (3-5)	5-6 (2-3)	8-9 (7-8)	5-6 (2-3)
280-300 psi 19.3-20.7 bar	12-14 (2-4)	5-6 (2-3)	8-9 (7-8)	5-6 (2-3)
300-320 psi 20.7- 22.1 bar	13-15 (1-3)	6-7 (1-2)	8-9 (7-8)	5-6 (2-3)

Setting Sag on Coil Shock

To set sag on a coil shock you will want to have a friend and a tape measure that has millimeters on it. You will need to measure the eye-to-eye distance on your bike. This is the distance between the two shock mounting bolts. On the Mach 6 and Firebird this distance is 205mm. The correct amount of sag for the Mach 6 or Firebird is 19-20mm. When you are seated on the bike with all your weight after completing the steps for sag setup the distance from shock bolt to shock bolt should measure 186-185mm.

1. Always set sag with the *blue* compression lever to the open position.
2. If your shock has additional compression and rebound adjustments ensure they are adjusted to be fully open, compression in the softest setting, and rebound to its fastest setting.
3. After installing the coil spring, set the preload adjuster to where it just contacts the coil spring applying a small amount of tension. On Fox shocks this should be about 8 clicks of the preload adjuster.
4. Find a level surface and something to steady yourself while mounted on the bike so you can be on the pedals in a seated position. It may be easier to have a partner hold your bike steady from the front by the handlebars while you are in your riding position.
5. While standing on the pedals, sit down hard into the saddle to cycle the suspension well into the stroke. This will ensure the bike comes to a rest at the natural sag setting with the rider in the saddle.
6. While in the saddle and not moving or unweighting the shock, have your friend measure the eye-to-eye distance. Subtract this number from the beginning eye-to-eye to get your sag measurement.
7. If the sag measurement is less than the recommended sag of 19-20mm you will need to change out the spring for a lower spring rate.
8. If the sag measurement is more than the recommended 19-20mm then you can turn the spring preload adjuster up to 26 clicks from where it just contacted the spring. If you cannot achieve the recommended sag with 26 clicks you will need to change the spring out for a higher spring rate.
9. Once you have achieved proper sag follow the recommended compression and rebound settings on page 9 to complete your suspension setup.



**Refer to your shock manual for procedures to install and remove springs.*

FIREBIRD & MACH 6
 Listed below are the recommended spring rates based on rider weight as well as coil length and spring stroke specifications for 205x65 Fox and Marzocchi coil-over shocks used on the Mach 6 and Firebird. Some riders may need a lighter or heavier spring to achieve the recommended 30% sag. NOTE: Spring length and spring travel may change for different spring rates. Consult the [Fox Spring Information](#) page on their website to confirm the correct size and part number.

SPRING RATE	TOTAL LENGTH	SPRING TRAVEL	I.D.	RIDER WEIGHT
350 lb.	5.24"	2.9"	1.385"	< 130lb.(59kg)
400 lb.	5.14"	2.65"	1.385"	130lb.(59kg) – 150lb.(68kg)
450 lb.	5.11"	2.65"	1.385"	150lb.(68kg) – 170lb.(77kg)
500 lb.	5.32"	2.65"	1.385"	170lb.(77kg) – 190lb.(86kg)
550 lb.	5.38"	2.65"	1.385"	190lb.(86kg) – 210lb. (95kg)
600 lb.	5.47"	2.65"	1.385"	210lb. (95kg) – 230lb. (104kg)
650 lb.	5.6"	2.65"	1.385"	> 230lb. (104kg)



PHOENIX

Listed below are the recommended spring rates based on rider weight as well as coil length and spring stroke specifications for 225x75 Fox and Marzocchi coil-over shocks used on the Phoenix. Some riders may need a lighter or heavier spring to achieve the recommended 30% sag. NOTE: Spring length and spring travel may change for different spring rates. Consult the [Fox Spring Information](#) page on their website to confirm the correct size and part number.

SPRING RATE	TOTAL LENGTH	SPRING TRAVEL	I.D.	RIDER WEIGHT
350 lb.	6.69"	3.25"	1.385"	< 130lb.(59kg)
400 lb.	6.63"	3.25"	1.385"	130lb.(59kg) – 150lb.(68kg)
450 lb.	6.76"	3.25"	1.385"	150lb.(68kg) – 170lb.(77kg)
500 lb.	6.91"	3.25"	1.385"	170lb.(77kg) – 190lb.(86kg)
550 lb.	6.93"	3.25"	1.385"	190lb.(86kg) – 210lb. (95kg)
600 lb.	7.11"	3.25"	1.385"	210lb. (95kg) – 230lb. (104kg)
650 lb.	6.81"	3.25"	1.385"	> 230lb. (104kg)

Progressivity Flip Chip

The Firebird and Phoenix have a progressivity flip chip at the lower shock mount. This allows you to fine tune the spring curve of the bike for your riding preferences. The progressivity chip has two positions. To change the setting loosen the lower shock bolt until you can remove the flip chip on the non-drive side. Then back out the drive side flip chip too. Rotate both chips 180 degrees and reinsert into the frame. Torque the shock bolt to 13Nm. A step-by-step guide of this process can be found on our website for models with this feature.

The progressive setting is recommended for use with coil shocks. The more progressive setting is with the lower shock bolt in the rear position. This setting provides more ramp up and support at the end of the travel. If you prefer a more consistent feel all the way through the travel and a more supple ride, then you may prefer the linear position. The more linear setting is with the chip flipped so the shock bolt is in the forward position.



Progressive



Linear

Damping Adjustment on Fox DHX2



The DHX2 shock has tuning options well beyond the scope of what we can cover here. Not only can the shock be tuned through the use of the HSC, LSC, HSR, and LSR knobs, but it can also run different spring rates.

We recommend 30% sag on the DHX2. Based on your spring rate to achieve proper sag, refer to Fox's tuning chart below to set your High Speed Compression damping (HSC), Low Speed Compression damping (LSC), High Speed Rebound damping (HSR), and Low Speed Rebound damping (LSR). The **bold** numbers in the chart refer to how many clicks clockwise from the open setting the dials should be set. Fox sets up shocks from the closed position, so that has been provided in parentheses.

The diagram to the right of the table shows the locations of each adjustment knob on the DHX2 shock.

For further detail, Fox provides a complete tuning guide for the Float X2 Air shock on their website at www.ridefox.com

Rebound & Compression Damping Settings Table for Fox DHX2

SUGGESTED SETTINGS FOX FLOAT DHX2				
Spring Rate	Baseline LSR (3mm hex)	Baseline HSR (2mm hex)	Baseline LSC (3mm hex)	Baseline HSC (6mm hex)
	Clicks from OPEN (Clicks from CLOSED)			
200	OPEN-2 (14-16)	OPEN-1 (7-8)	OPEN (16)	OPEN-1 (7-8)
225	1-3 (13-15)	1-2 (6-7)	OPEN-1 (16)	OPEN-1 (7-8)
250	1-3 (13-15)	1-2 (6-7)	OPEN-1 (16)	OPEN-1 (7-8)
275	2-4 (12-14)	2-3 (5-6)	OPEN-1 (16)	OPEN-1 (7-8)
300	3-5 (11-13)	2-3 (5-6)	OPEN-1 (16)	OPEN-1 (7-8)
325	4-6 (10-12)	2-3 (5-6)	OPEN-1 (16)	OPEN-1 (7-8)
350	4-6 (10-12)	3-4 (4-5)	OPEN-1 (16)	OPEN-1 (7-8)
375	5-7 (9-11)	3-4 (4-5)	1-2 (14-15)	1-2 (6-7)
400	5-7 (9-11)	3-4 (4-5)	1-2 (14-15)	1-2 (6-7)
425	6-8 (8-10)	4-5 (3-4)	1-2 (14-15)	1-2 (6-7)
450	6-8 (8-10)	4-5 (3-4)	1-2 (14-15)	1-2 (6-7)
475	7-9 (7-9)	4-5 (3-4)	1-2 (14-15)	1-2 (6-7)
500	7-9 (7-9)	4-5 (3-4)	1-2 (14-15)	1-2 (6-7)
525	8-10 (6-8)	4-5 (3-4)	1-2 (14-15)	1-2 (6-7)
550	8-10 (6-8)	5-6 (2-3)	2-3 (13-14)	2-3 (6-5)
575	9-11 (5-7)	5-6 (2-3)	2-3 (13-14)	2-3 (6-5)
600	10-12 (4-6)	6-7 (1-2)	2-3 (13-14)	2-3 (6-5)
625	11-13 (3-5)	6-7 (1-2)	2-3 (13-14)	2-3 (6-5)
650	12-14 (2-4)	6-7 (1-2)	3-4 (12-13)	3-4 (4-5)
675	13-15 (1-2)	7-8 (0-1)	3-4 (12-13)	3-4 (4-5)
700	14-16 (0-2)	7-8 (0-1)	4-5 (11-12)	4-5 (3-4)
725	14-16 (0-2)	7-8 (0-1)	4-5 (11-12)	4-5 (3-4)



6. Fox Float Air Fork



Setting Sag on Fox Float Air Fork

Proper sag for the fork is 15 - 20% of the full fork travel. Fork sag is similar to setting your shock sag and based on your rider weight in your neutral seated riding position. To check your sag follow the same procedures as with shock sag. While on the bike slide the o-ring down to the dust wiper and gently step off the bike. The distance from the o-ring to the dust wiper can be divided by your fork travel to give you your sag percentage.

The table below provides Pivot's recommended starting point for fork air pressure to achieve proper sag. Through Pivot's testing, we have found that for many riders, the Fox recommended pressure is higher and limits the ability to achieve full fork travel. You may need to lower the pressure if full travel is not reached. In general, we find that riders are running 2-3 pressure settings below the air pressure recommended for their rider weight by Fox's charts. You can refer to the charts from Fox at www.ridefox.com.

For example, based on the charts from Fox, a 200lb. rider with a Fox Float 36 would want to run between 94 and 99 psi in their fork. Our recommendation for most riders at this weight is to run between 86-89 psi. Compared to the Fox charts, we have shifted our recommendation two or three rows up the chart. This means less air pressure for a softer more balanced ride.

Once you have settled on your air pressure follow the corresponding damping setting for your model fork.

**Do not exceed the maximum air pressure for your fork indicated by the fork manufacturer.*

RIDER WEIGHT	32 SC FLOAT	34 FLOAT	34 SC FLOAT	36 FLOAT	38 FLOAT	Fox Podium	40 FLOAT
120-130 [lbs] 54-59 [kg]	57 [psi] 3.9 [bar]	56 [psi] 3.8 [bar]	57 [psi] 3.9 [bar]	58 [psi] 4 [bar]	62 [psi] 4.3 [bar]	52 [psi] 3.6 [bar]	46 [psi] 3.1 [bar]
130-140 [lbs] 59-63 [kg]	61 [psi] 4.2 [bar]	60 [psi] 4.1 [bar]	61 [psi] 4.2 [bar]	62 [psi] 4.3 [bar]	68 [psi] 4.7 [bar]	57 [psi] 3.9 [bar]	48 [psi] 3.3 [bar]
140-150 [lbs] 63-68 [kg]	65 [psi] 4.5 [bar]	64 [psi] 4.4 [bar]	65 [psi] 4.5 [bar]	66 [psi] 4.6 [bar]	72 [psi] 5.0 [bar]	61 [psi] 4.2 [bar]	52 [psi] 3.6 [bar]
150-160 [lbs] 68-72 [kg]	70 [psi] 4.8 [bar]	69 [psi] 4.8 [bar]	70 [psi] 4.8 [bar]	70 [psi] 4.8 [bar]	76 [psi] 5.2 [bar]	65 [psi] 4.5 [bar]	58 [psi] 4.0 [bar]
160-170 [lbs] 72-77 [kg]	74 [psi] 5.1 [bar]	74 [psi] 5.1 [bar]	74 [psi] 5.1 [bar]	74 [psi] 5.1 [bar]	80 [psi] 5.5 [bar]	70 [psi] 4.8 [bar]	64 [psi] 4.4 [bar]
170-180 [lbs] 77-81 [kg]	80 [psi] 5.5 [bar]	78 [psi] 5.4 [bar]	80 [psi] 5.5 [bar]	78 [psi] 5.4 [bar]	84 [psi] 5.8 [bar]	74 [psi] 5.1 [bar]	68 [psi] 4.7 [bar]
180-190 [lbs] 81-86 [kg]	85 [psi] 5.9 [bar]	83 [psi] 5.7 [bar]	85 [psi] 5.9 [bar]	82 [psi] 5.7 [bar]	89 [psi] 6.1 [bar]	80 [psi] 5.5 [bar]	72 [psi] 5.0 [bar]
190-200 [lbs] 86-90 [kg]	90 [psi] 6.2 [bar]	88 [psi] 6.1 [bar]	90 [psi] 6.2 [bar]	86 [psi] 5.9 [bar]	93 [psi] 6.4 [bar]	85 [psi] 5.9 [bar]	76 [psi] 5.2 [bar]
200-210 [lbs] 90-95 [kg]	96 [psi] 6.6 [bar]	92 [psi] 6.3 [bar]	96 [psi] 6.6 [bar]	89 [psi] 6.1 [bar]	97 [psi] 6.7 [bar]	90 [psi] 6.2 [bar]	80 [psi] 5.5 [bar]
210-220 [lbs] 95-100 [kg]	101 [psi] 7.0 [bar]	97 [psi] 6.7 [bar]	101 [psi] 7.0 [bar]	94 [psi] 6.5 [bar]	102 [psi] 7.0 [bar]	96 [psi] 6.6 [bar]	84 [psi] 5.8 [bar]
220-230 [lbs] 100-104 [kg]	106 [psi] 7.3 [bar]	102 [psi] 7.0 [bar]	106 [psi] 7.3 [bar]	99 [psi] 6.8 [bar]	106 [psi] 7.3 [bar]	101 [psi] 7.0 [bar]	87 [psi] 6.0 [bar]
230-240 [lbs] 104-109 [kg]	111 [psi] 7.7 [bar]	106 [psi] 7.3 [bar]	111 [psi] 7.7 [bar]	105 [psi] 7.2 [bar]	110 [psi] 7.6 [bar]	106 [psi] 7.3 [bar]	90 [psi] 6.2 [bar]
240-250 [lbs] 109-113 [kg]	117 [psi] 8.1 [bar]	111 [psi] 7.7 [bar]	117 [psi] 8.1 [bar]	109 [psi] 7.5 [bar]	114 [psi] 7.9 [bar]	110 [psi] 7.6 [bar]	94 [psi] / 6.5 [bar]

**These pressures differ from those mentioned in Fox's manuals*







Rebound Damping

Setting rebound is dependent on air pressure. For example, higher air pressures require slower rebound setting. This adjustment is a **red knob** found on the bottom of the drive side fork leg. We set rebound from the most open or fastest position. Refer to the table for the suggested rebound setting. The **bold** numbers in the chart refer to how many clicks clockwise from open. *Fox sets rebound from the closed position, so that has been provided in parentheses.*



Rebound Adjustment

-  Rotate counter-clockwise for faster extension after compression
-  Rotate clockwise for slower extension after compression

Suggested FIT4 Rebound Settings		
Fork Air Pressure	32 SC*/34/34SC*	32/36
	*Step Cast models	
	Clicks from OPEN (Clicks from CLOSED)	
≤65 psi	2 (12)	Open (14)
65-70 psi	3 (11)	1 (13)
70-74 psi	4 (10)	2 (12)
74-80 psi	4 (10)	3 (11)
80-85 psi	5 (9)	5 (9)
85-90 psi	6 (8)	6 (8)
90-96 psi	6 (8)	7 (7)
96-100 psi	7 (7)	8 (6)
100-103 psi	8 (6)	9 (5)
103-106 psi	10 (4)	10 (4)
106-109 psi	11 (3)	11 (3)
109-112 psi	12 (2)	12 (2)
112-115 psi	13 (1)	13 (1)



Compression Damping

The Fit 4 damper features a **blue** 3 position compression adjustment lever. These settings are open, medium, and firm. The **black** inner dial adjusts the low speed compression damping that affects the firmness of the suspension (compression damping) in the fully open position. We set compression from the most open or fastest position, so start by turning the **black** compression inner dial counter-clockwise all the way out.

Turn **black** dial clockwise in 2-8 clicks in (depending on rider weight). Most riders should feel comfortable with 5 clicks in as a starting point. A rider under 120lb. would start with 2 clicks in.



FIT4 Compression Knob & Open Mode Adjust

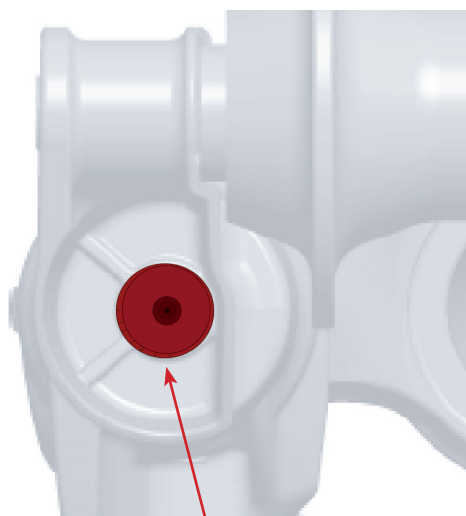
-  Rotate counter-clockwise to open
-  Rotate clockwise to close

GRIP Damping Adjustment on Fox Float Air Fork





Rebound Damping

Setting rebound is dependent on air pressure. For example, higher air pressures require slower rebound setting. This adjustment is a *red* knob found on the bottom of the drive side fork leg. We set rebound from the most open or fastest position. Refer to the table for the suggested rebound setting. The **bold** numbers in the chart refer to how many clicks clockwise from open. *Fox sets rebound from the closed position, so that has been provided in parentheses.*



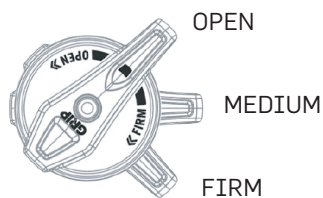
Rebound Adjustment

-  Rotate counter-clockwise for faster extension after compression
-  Rotate clockwise for slower extension after compression

Suggested GRIP Rebound Settings	
Fork Air Pressure	Clicks from OPEN (Clicks from CLOSED)
≤72 psi	1 (13)
72-76 psi	2 (12)
76-80 psi	3 (11)
80-84 psi	4 (10)
84-89 psi	5 (9)
89-93 psi	6 (8)
93-97 psi	7 (7)
97-100 psi	8 (6)
100-104 psi	9 (5)
104-107 psi	10 (4)
107-110 psi	11 (3)
110-114 psi	12 (2)
114-118 psi	13 (1)

Compression Damping

The 3-Position Micro Adjust lever is useful to make on-the-fly adjustments to control fork performance. We always start with the lever in the full OPEN position. Most riders will not need to make any changes from this position. MEDIUM may be preferred on smooth XC course and FIRM can be used going to and from the trail or on long fire road climbs.



GRIP Compression Knob

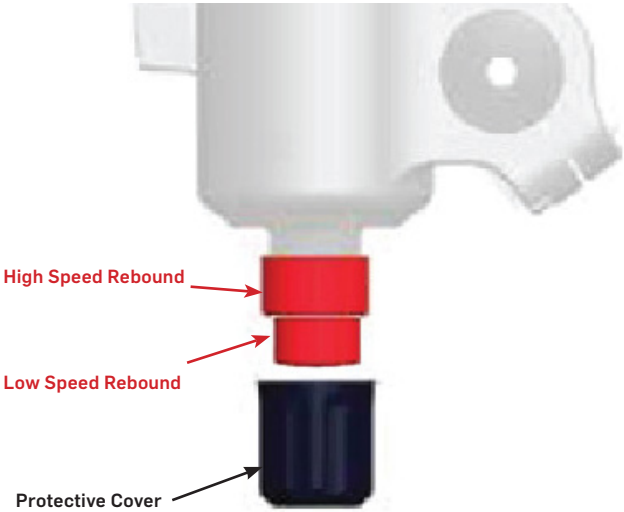


GRIP2 Damping Adjustment on Fox Float Air Fork



Rebound Damping

Setting rebound is dependent on air pressure. For example, higher air pressures require slower rebound setting. The Grip2 dampers have both low speed and high speed rebound damping. Both **red** knobs are located on the bottom of the driveside fork leg under a protective cover. We set rebound from the most open or fastest position. Refer to the table for the suggested rebound setting. The **bold** numbers in the chart refer to how many clicks clockwise from open. *Fox sets rebound from the closed position, so that has been provided in parentheses.*



- Rotate counter-clockwise for faster extension after compression
- Rotate clockwise for slower extension after compression

Suggested GRIP2 Rebound Settings				
Fork Air Pressure	34/36/38		40	
	LSR / HSR		LSR / HSR	
	Clicks from OPEN (Clicks from CLOSED)		Clicks from OPEN (Clicks from CLOSED)	
≤72 psi	6 / 1 (9 / 8)	≤52 psi	6 / Open (10 / 10)	
72-76 psi	7 / 1 (8 / 7)	52-58 psi	7 / 1 (9 / 9)	
76-80 psi	8 / 2 (7 / 6)	58-64 psi	8 / 2 (8 / 8)	
80-84 psi	8 / 2 (7 / 6)	64-68 psi	8 / 2 (8 / 8)	
84-89 psi	9 / 3 (6 / 5)	68-72 psi	9 / 3 (7 / 7)	
89-93 psi	9 / 3 (6 / 5)	72-76 psi	9 / 3 (7 / 7)	
93-97 psi	11 / 4 (5 / 4)	76-80 psi	10 / 4 (6 / 6)	
97-100 psi	12 / 5 (4 / 3)	80-84 psi	11 / 5 (5 / 5)	
100-104 psi	12 / 5 (4 / 3)	84-87 psi	11 / 5 (5 / 5)	
104-107 psi	13 / 6 (3 / 2)	87-90 psi	12 / 6 (4 / 4)	
107-110 psi	14 / 7 (2 / 1)	90-94 psi	13 / 7 (3 / 3)	
110-114 psi	14 / 7 (2 / 1)	94-97 psi	13 / 7 (3 / 3)	
114-118 psi	15 / 8 (1 / 0)	97-101 psi	14 / 7 (2 / 2)	

Compression Damping

The Grip2 damper has adjusters for both low speed and high speed compression damping on the top of the right fork leg. The **blue** outer dial adjusts high speed compression damping and the **black** inner dial adjusts low speed compression damping. We set compression from the open or fastest position, so start by turning the both the **blue** and **black** compression dials counter-clockwise all the way out. Turn **blue** dial clockwise 3 clicks in and turn the **black** dial 2 clicks in.



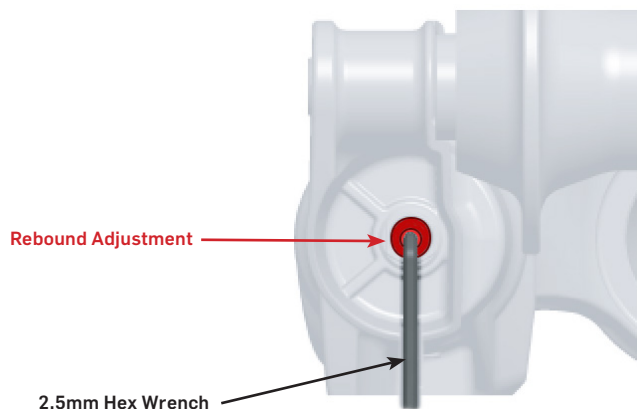
- Rotate counter-clockwise to open
- Rotate clockwise to close







Rebound Damping

Setting rebound is dependent on air pressure. For example, higher air pressures require slower rebound setting. This adjustment is a *red* knob found on the bottom of the drive side fork leg. You will need to use a 2.5mm hex wrench to adjust it. We set rebound from the most open or fastest position. Refer to the table for the suggested rebound setting. The **bold** numbers in the chart refer to how many clicks clockwise from open. *Fox sets rebound from the closed position, so that has been provided in parentheses.*



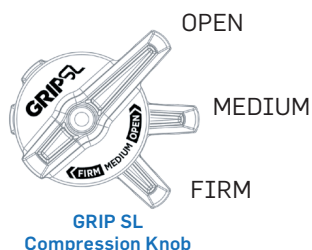
 Rotate counter-clockwise for faster extension after compression

 Rotate clockwise for slower extension after compression

Suggested GRIP SL Rebound Settings	
Fork Air Pressure	Clicks from OPEN (Clicks from CLOSED)
≤72 psi	1 (13)
72-76 psi	2 (12)
76-80 psi	3 (11)
80-84 psi	4 (10)
84-89 psi	5 (9)
89-93 psi	6 (8)
93-97 psi	7 (7)
97-100 psi	8 (6)
100-104 psi	9 (5)
104-107 psi	10 (4)
107-110 psi	11 (3)
110-114 psi	12 (2)
114-118 psi	13 (1)

Compression Damping

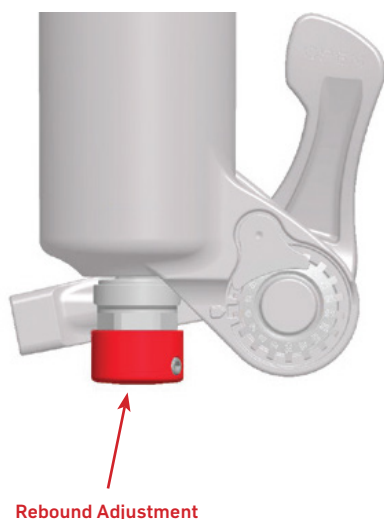
We always start with the lever in the full open position. Most riders will not need to make any changes from this position. However, if you do need more compression support, the lever will provide a low speed compression adjustment. Fully closed provides a nearly locked out feel for climbing.







Rebound Damping

Setting rebound is dependent on air pressure. For example, higher air pressures require slower rebound setting. This adjustment is a **red** knob found on the bottom of the drive side fork leg. We set rebound from the most open or fastest position. Refer to the table for the suggested rebound setting. The **bold** numbers in the chart refer to how many clicks clockwise from open. *Fox sets rebound from the closed position, so that has been provided in parentheses.*





-  Rotate counter-clockwise for faster extension after compression
-  Rotate clockwise for slower extension after compression

Suggested GRIP X Rebound Settings	
Fork Air Pressure	Clicks from OPEN (Clicks from CLOSED)
≤72 psi	1 (13)
72-76 psi	2 (12)
76-80 psi	3 (11)
80-84 psi	4 (10)
84-89 psi	5 (9)
89-93 psi	6 (8)
93-97 psi	7 (7)
97-100 psi	8 (6)
100-104 psi	9 (5)
104-107 psi	10 (4)
107-110 psi	11 (3)
110-114 psi	12 (2)
114-118 psi	13 (1)

Compression Damping

The Grip X damper has adjusters for both low speed and high speed compression damping on the top of the right fork leg. The outer dial adjusts high speed compression damping and the inner dial adjusts low speed compression damping. We set compression from the open or fastest position. Start by turning both compression dials counter-clockwise all the way out. Refer to **bold** numbers on the table to the right as a starting point for your settings. *Fox set compression from the closed position, so that has been provided in parentheses.*



-  Rotate counter-clockwise to open
-  Rotate clockwise to close

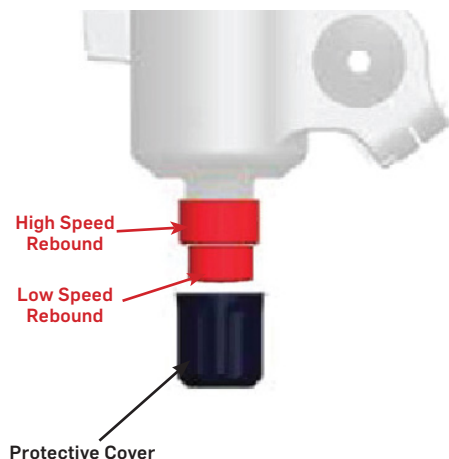
Suggested GRIP X Compression Settings		
Rider Weight	LSC	HSC
	Clicks from OPEN (Clicks from CLOSED)	Clicks from OPEN (Clicks from CLOSED)
<120 [lbs] <54 [kg]	3 (13)	4 (11)
120-150 [lbs] 54-68 [kg]	4 (12)	5 (10)
150-180 [lbs] 68-81 [kg]	5 (11)	6 (9)
180-210 [lbs] 81-95 [kg]	6 (10)	7 (8)
210-240 [lbs] 95-109 [kg]	7 (9)	8 (7)
>240 [lbs] >109 [kg]	8 (8)	9 (6)

GRIP X2 Damping Adjustment on Fox Float Air Fork



Rebound Damping

Rebound setting is dependent on air pressure. For example, higher air pressures require slower rebound setting. The Grip X2 dampers have both low speed and high speed rebound damping. Both **red** knobs are located on the bottom of the driveside fork leg under a protective cover. We set rebound from the most open or fastest position. Refer to the table for the suggested rebound setting. The **bold** numbers in the chart refer to how many clicks clockwise from the open setting the rebound should be set. *Fox sets rebound from the closed position, so that has been provided in parentheses.*



⤿ Rotate counter-clockwise for faster extension after compression

⤻ Rotate clockwise for slower extension after compression

Fork Air Pressure [PSI]	Fox 34/36/38/40 Suggested Rebound		Fox Podium Suggested Rebound	
	LSR	HSR	LSR	HSR
	Clicks from OPEN (Clicks from CLOSED)	Clicks from OPEN (Clicks from CLOSED)	Clicks from OPEN (Clicks from CLOSED)	Clicks from OPEN (Clicks from CLOSED)
≤ 64 psi	5 (11)	0 (8)	3 (13)	0 (8)
64-68 psi	5 (11)	0 (8)	3 (13)	1 (7)
68-72 psi	6 (9)	1 (7)	4 (12)	2 (6)
72-76 psi	7 (8)	1 (7)	6 (10)	2 (6)
76-80 psi	8 (7)	2 (6)	6 (10)	2 (6)
80-84 psi	8 (7)	2 (6)	7 (9)	3 (5)
84-89 psi	9 (6)	3 (5)	7 (9)	3 (5)
89-93 psi	9 (6)	3 (5)	8 (8)	4 (4)
93-97 psi	11 (5)	4 (4)	9 (7)	4 (4)
97-100 psi	12 (4)	5 (3)	10 (6)	5 (3)
100-104 psi	12 (4)	5 (3)	11 (5)	5 (3)
104-107 psi	13 (3)	6 (2)	12 (4)	5 (3)
107-110 psi	14 (2)	7 (1)	13 (3)	6 (2)
110-114 psi	14 (2)	7 (1)	14 (2)	7 (1)
114-118 psi	15 (1)	8 (0)	15 (1)	8 (0)

Compression Damping

The Grip X2 damper has adjusters for both low speed and high speed compression damping on the top of the right fork leg. The outer dial adjusts high speed compression damping and the inner dial adjusts low speed compression damping. We set compression from the open or fastest position. Start by turning both compression dials counter-clockwise all the way out. Refer to **bold** numbers on the table to the right as a starting point for your settings. *Fox set compression from the closed position, so that has been provided in parentheses.*



GRIP X2 Low Speed Compression



GRIP X2 High Speed Compression

⤿ Rotate counter-clockwise to decrease compression damping

⤻ Rotate clockwise to increase compression damping

Suggested GRIP X2 Compression Settings		
Rider Weight	LSC	HSC
	Clicks from OPEN (Clicks from CLOSED)	Clicks from OPEN (Clicks from CLOSED)
<120 [lbs] <54 [kg]	3 (13)	1 (7)
120-150 [lbs] 54-68 [kg]	4 (12)	2 (6)
150-180 [lbs] 68-81 [kg]	5 (11)	3 (5)
180-210 [lbs] 81-95 [kg]	6 (10)	4 (4)
210-240 [lbs] 95-109 [kg]	7 (9)	5 (3)
>240 [lbs] >109 [kg]	8 (8)	6 (2)



PIVOT
CYCLES

ANLEITUNG FAHRWERKS-EINSTELLUNG

Damit sich dein vollgefedertes Pivot-Bike optimal pedaliert und auf dem Trail verhält, ist es wichtig, das Fahrwerk richtig einzustellen. Nutze diese Anleitung, um dich mit dem Einstellungsprozess deines Pivot-Bikes vertraut zu machen. Ebenfalls dient sie als Grundlage, um das Fahrwerk auf deine individuellen Bedürfnisse einzustellen. Das ist ein umfangreicher Leitfaden, der das Einstellen der verschiedenen Federgabeln und Dämpfer von all unseren Bike-Modellen erklärt.

INHALTSVERZEICHNIS

1. Generelle Infos zum Fahrwerkssetup	2
2. Fox Float, Float DPS, Float SL, & Float X	3
Sag an Fox Float-Dämpfern einstellen	3
Dämpfungs-Einstellung am Fox Float DPS, Float, & Float SL	4
Dämpfungs-Einstellung am Fox Float X	5
3. Fox Float X2	6
Sag am Fox Float-X2-Dämpfer einstellen	6
Dämpfungs-Einstellung am Fox Float X2	6
Dämpfungs-Einstellung am Fox Float X2	7
Tabelle für Rebound- & Compression-Dämpfung am Fox Float X2	7
4. 2026 Fox Float X2	8
Sag am 2026 Fox Float-X2-Dämpfer einstellen	8
Dämpfungs-Einstellung am 2026 Fox Float X2	8
Dämpfungs-Einstellung am 2026 Fox Float X2	9
Tabelle für Rebound- & Compression-Dämpfung am 2026 Fox Float X2	9
5. Stahlfeder-Dämpfer	10
Sag am Stahlfeder-Dämpfer einstellen	10
Phoenix Stahlfeder-Dämpfer und Progressivität-Flip-Chip	11
Dämpfungs-Einstellung am Fox DHX2 Coil	12
Tabelle für Rebound- & Compression-Dämpfung am Fox DHX2	12
6. Fox Float Luft-Federgabel	13
Sag an Fox-Float-Luft-Federgabeln einstellen	13
Dämpfungs-Einstellung an Fox-Float-Federgabeln mit FIT4-Dämpfung	14
Dämpfungs-Einstellung an Fox-Float-Federgabeln mit GRIP-Dämpfung	15
Dämpfungs-Einstellung an Fox-Float-Federgabeln mit GRIP2-Dämpfung	16
Dämpfungs-Einstellung an Fox-Float-Federgabeln mit GRIP-SL-Dämpfung	17
Dämpfungs-Einstellung an Fox-Float-Federgabeln mit GRIP-X-Dämpfung	18
Dämpfungs-Einstellung an Fox-Float-Federgabeln mit GRIP-X2-Dämpfung	19
Meine Einstellungen & Notizen	20



Hilfestellungen, Begriffsklärung, benötigte Werkzeuge und Besonderheiten

In dieser Anleitung sprechen wir von ein paar Begriffen, die wir dir hier kurz erklären wollen:

Sag: Zu deutsch: Negativ-Federweg. Sag wird in Millimetern oder als Prozentzahl vom gesamten Federweg angegeben. Dabei handelt es sich um den Weg, den Federgabel und Dämpfer einfedern, wenn du ruhig auf dem Fahrrad sitzt.



Scannen Sie, um die Pivot Pro Garage mit Schritt-für-Schritt-Videos zum Durchhang-Setup und anderen Fahrradeinstellungen zu besuchen.

Druckausgleich: Wenn du den Luftdruck im Dämpfer änderst, federe den Dämpfer 10-mal für min. 25 % des Federwegs durch. Dadurch findet zwischen der Negativ-Luftfeder und der Hauptkammer ein Druckausgleich statt und du bekommst den richtigen Sag sowie eine gute Performance.

Einstellknopf: Die meisten Dämpfer und Federgabeln haben Knöpfe, Einsteller oder Hebel, mit denen sich die Einstellungen anpassen lassen. Viele sind werkzeuglos und von Hand einstellbar, andere erfordern Werkzeug.

Klick: Einstellräder und Einstellknöpfe an Federelementen sind meistens gerastert. Das bedeutet, dass du beim Drehen einen "Klick" hören und/oder spüren kannst.

Rebound: Zu deutsch: Zugstufe. Die Rebound- oder Zugstufen-Dämpfung kontrolliert, wie schnell eine Federgabel oder ein Dämpfer ausfedern, bzw. nach einer Belastung wieder in den Ursprungszustand kommen. Rebound-Einstellknöpfe sind an allen Fox- und Marzocchi-Federelementen *rot*. In die offene Stellung gelangst du durch Drehen gegen den Uhrzeigersinn, in Richtung "-". In die geschlossene Position durch Drehen im Uhrzeigersinn in Richtung "+".

Compression: Zu deutsch: Druckstufe. Compression- oder Druckstufen-Dämpfung kontrolliert, wie viel Widerstand die Federgabel oder der Dämpfer bei Belastung generieren. Compression-Einstellknöpfe sind an allen Fox-Federelementen *blau* und *schwarz*, sowie an Marzocchi-Federelementen entweder *schwarz* oder *golden*. In die offene Stellung gelangst du durch Drehen gegen den Uhrzeigersinn, in Richtung "- " oder "OPEN". In die geschlossene Position durch Drehen im Uhrzeigersinn in Richtung "+" oder "FIRM".

Low-Speed: Die Low-Speed-Dämpfung arbeitet bei Belastungen mit langsamer Ein- oder Ausfederbewegung. Zum Beispiel bei leichten Gewichtsverlagerungen oder beim Pedalieren.

High-Speed: Die High-Speed-Dämpfung arbeitet bei Belastungen mit schneller Ein- oder Ausfederbewegung. Zum Beispiel bei Landungen, harten Schlägen und beim Überfahren einer Bordsteinkante.

Benötigte Werkzeuge:

Für die Einstellung deiner Federelemente an Pivot-Bikes benötigst du nur wenige Werkzeuge. Dazu zählt in erster Linie eine Hochdruckpumpe oder Dämpferpumpe zur Einstellung des Sag. Für die Dämpfungs-Einstellung an Fox- oder Marzocchi-Federgabeln benötigst du kein Werkzeug. Auch für die Einstellung von Fox Float DPS, Float DPX2 und Float X benötigst du kein Werkzeug. Für die Dämpfer Float X2 und DHX2 benötigst du einen 2-mm-, 3-mm- und 6-mm-Innensechskant-Schlüssel. Zur Sag-Einstellung an Fox- oder Marzocchi-Stahlfeder-Dämpfern ist außerdem ein Maßband erforderlich. Gegebenfalls brauchst du für den Wechsel der Stahlfeder weitere Werkzeuge, außerdem empfehlen wir hier mit einem Montageständer zu arbeiten.

Besonderheiten bei Pivot:

Die meisten Pivot-Bikes sind am hinteren Dämpfer mit einem unserer **Sag-Indikatoren** ausgestattet. Das hilft dir, die Einstellung und Überprüfung des Sags schnell und einfach durchzuführen. Befolge den Sag-Prozess und richte den O-Ring am Dämpfer mit dem Indikator aus.

Unsere Empfehlungen können etwas von den Fox-Vorgaben abweichen, da wir unsere Abstimmung im felsigen Terrain im südwesten von Amerika erstellen. Ziehe diese Empfehlungen also als Startwert heran. Wenn du steilere Trails oder weniger steinige Untergründe befährst, könnten Anpassungen beim Setup notwendig sein. Du kannst auf der letzten Seite dieser Anleitung deine Einstellungen notieren und Notizen machen, um dein perfektes Setup zu finden.

Im Setup-Prozess gilt allgemein die Reihenfolge:

1. Sag-Einstellung
2. Rebound-Einstellung
3. Compression-Einstellung

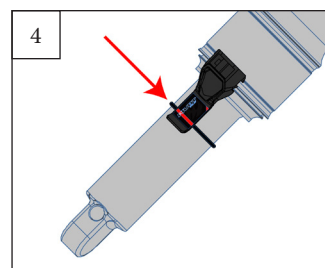
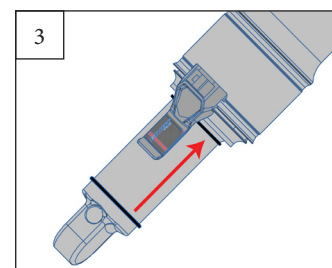
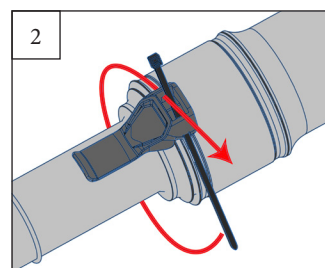
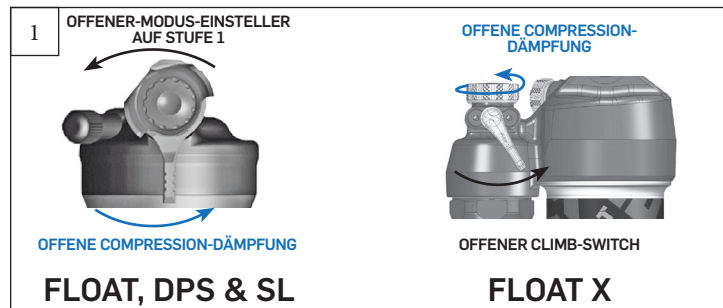
Für die Sag-Einstellung ist es wichtig vorab alle Einstellräder, Einstellknöpfe und Hebel komplett gegen den Uhrzeigersinn in die schnellste (Rebound) oder weichste (Compression) Einstellung zu bringen. Pivot zählt die Klicks von der offenen Stellung, denn dann muss nicht alle Einstellknöpfe zuerst komplett in den geschlossenen Zustand bringen und spart sich ein bisschen Zeit, die man lieber auf dem Trail verbringen könnte. Außerdem ist es einfach die Federelemente zu beschädigen, wenn man die Dämpfung ganz schließt. Es kann sich anfühlen, als gäbe es noch einen letzten, halben Klick, der aber nicht existiert. Überdreht man die Schraube, kann das den Mechanismus kaputt machen und einen Service oder eine Reparatur erfordern. Fox Suspension Anleitungen zählen die Klicks immer von der geschlossenen Position, dieser Wert ist in unseren Tabellen immer zusätzlich immer in Klammern angegeben.

Unter www.ridefox.com findest du mehr Details zu deinen Federelementen. Auf Gabel und Dämpfer findest du einen QR-Code, über den durch das Scannen Informationen zum Setup, Service und zu Ersatzteilen findest.



Sag an FOX-Float-Dämpfern einstellen

1. Stelle den Sag mit jedem **blauen** Compression-Einstellungs-knopf in der offenen Position ein. (Bild 1)
2. Zusätzliche Einstellungsmöglichkeiten für die Compression und den Rebound müssen ebenfalls in der komplett offenen Position sein. Die Compression muss in der weichsten Einstellung und der Rebound in der schnellsten Einstellung sein (ganz gegen den Uhrzeigersinn).
3. Falls der Sag-Indikator nicht montiert ist, befestige ihn mit einem Kabelbinder am Ende des Dämpfer-Körpers. Kürze das abstehende Ende des Kabelbinders vorsichtig. (Bild 2)
4. Suche dir einen ebenen Untergrund und etwas, woran du dich festhalten oder anlehnen kannst, während du auf dem Bike stehst oder sitzt. Einfacher geht das, wenn du eine Person als Hilfe hast, die vor dem Rad steht und den Lenker festhält, um dich zu stabilisieren, während du auf dem Bike stehst oder sitzt.
5. Setze dich aus dem Stand mit Schwung in den Sattel, damit die Federung durch gefedert wird. Dadurch wird sich der Sag mit sitzendem Fahrer einstellen.
6. Bleibe sitzen, bewege dich nicht und schiebe währenddessen den O-Ring gegen die Dichtung der Luftkammer (Bild 3)
7. Ist der O-Ring in Position, steige vorsichtig vom Bike, so dass der O-Ring nicht verschoben wird.
8. Verändere den Sag durch Hinzufügen oder Ablassen von Luft, damit der O-Ring bei Durchführung von Schritt 4 bis 7 mit der **roten** Linie am Sag-Indikator Linie hält. (Bild 4)
*Übersteige nicht den maximalen Druck, der auf dem Dämpfer steht. Wenn du den Luftdruck im Dämpfer änderst, federe den Dämpfer min. 25% durch, bevor du den Sag erneut prüfst, damit zwischen der Negativ-Luftfeder und der Hauptkammer ein Druckausgleich stattfinden kann. Diesen Schritt musst du bei jeder Druck-Anpassung durchführen. Am einfachsten gelingt das, wenn du den Sattel mehrmals nach unten drückst, um den Dämpfer bis über den Sag-Punkt einzufedern.
9. Manche Modelle haben einen Sag-Indikator mit einer **blauen** Linie (RACE) und einer **roten** Linie (TRAIL). Je nachdem, ob du ein härteres oder weiches Fahrwerk bevorzugst, kannst du den Sag in diesem Bereich einstellen.



WARNUNG: Achte darauf, dass der Sag-Indikator während des Ein- und Ausfederns nicht mit dem Rahmen oder der Anlenkung in Berührung kommt. Andernfalls kann der Indikator während der Fahrt brechen.

Sollte kein Sag-Indikator am Dämpfer sein, benutze die unten aufgelisteten Maße, um den Sag zu bestimmen. Je nach Modell und Größe verbaut Pivot unterschiedlich lange Dämpfer und es erfordert daher unterschiedliche Sag-Einstellungen.

Indikator A* Sag: 0.74" (18,8mm)*	Indikator B Sag: 0.65" (16,5mm)	Indikator C Sag: 0.49" (12,4mm)	Indikator D Sag: 0.55" (14,0mm)
Bikes: <ul style="list-style-type: none"> • Firebird V3-V5* • Firebird 29* • Firebird 27.5* • Mach 5.7 • Mach 5: M-XL • Mach 6 (V1-V5)* • Mach 6 Alloy* • Shuttle LT* 	Bikes: <ul style="list-style-type: none"> • Mach 5.5 • Mach 5.7 Carbon • Mach 4: S-XL (2010 & Älter) • Mach 5: XS-S • Mach 429 Alloy • Switchblade (Alle Versionen) • Shuttle AM • Shuttle SL • Shuttle SL+AM • Shadowcat • Trailcat LT 	Bikes: <ul style="list-style-type: none"> • Mach 4: XXS-XS • Mach 4 SL (V1-V2) • Mach 4 SL V3 190x40 	Bikes: <ul style="list-style-type: none"> • Mach 4: S-XL (2011 & Neuer) • Mach 429 Carbon • Mach 429 SL • Mach 429 Trail • Mach 4 SL V3 190x45 <p>(Empfehlung: Sag auf der blauen Linie einzustellen)</p> <ul style="list-style-type: none"> • Trail429 (V2-V3) • Trailcat SL

*Sag-Messung: 0.76" (19,5mm); eingestellt zwischen der roten Linie und dem Ende des Indikators



Rebound-Dämpfung

Die Einstellung vom Rebound ist abhängig vom Luftdruck im Dämpfer. Zum Beispiel erfordern höhere Luftdrücke einen langsameren Rebound. Wir stellen die Rebound-Einstellung von der schnellsten Position, also wenn die Dämpfung komplett offen ist, ein. Zur Einstellung drehst du also den **roten** Einstellknopf im Uhrzeigersinn. Verwende zunächst die Tabelle auf der rechten Seite, um die Rebound-Empfehlung herauszufinden. Die **fett markierte** Nummer in der Tabelle gibt an, um wie viele Klicks du den Knopf im Uhrzeigersinn drehen solltest. Fox stellt den Rebound von der geschlossenen Position aus ein, daher wurde dies in der Tabelle in Klammern angegeben.



Gegen den Uhrzeigersinn drehen für schnelleres Ausfedern nach der Kompression



Im Uhrzeigersinn drehen für langsames Ausfedern nach der Kompression

Empfohlene Rebound-Einstellung Float & Float SL

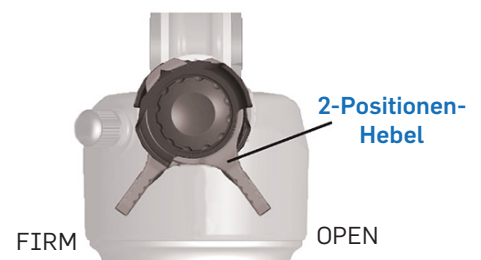
Luftdruck [psi]	Klicks von offen (Klicks von geschlossen)
<100	OFFEN
100-120	3 (11)
120-140	4 (10)
140-160	5 (9)
160-180	6 (8)
180-200	7 (7)
200-220	8 (6)
220-240	9 (5)
240-260	10 (4)
260-280	11 (3)
280-300	GESCHLOSSEN

Compression-Dämpfung

Alle mit dw-Link® ausgestatteten Pivot-Bikes pedalieren sich effizient, daher verwenden wir den Compression-Hebel als Tuning-Tool für Fahrergewicht und Compression-Unterstützung. Alle Fahrräder können mit dem **blauen** Hebel in voll geöffneten Stellung gefahren werden und liefern eine sehr gute Leistung.

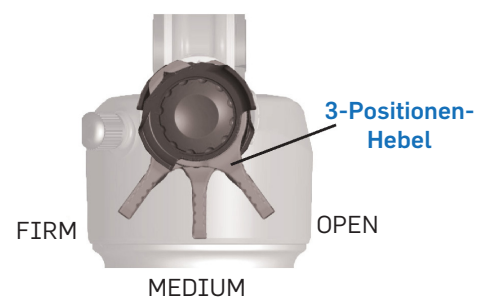
2-Positionen-Hebel

An den Float-Dämpfern gibt es einen Hebel mit zwei Einstellungen für eine komplett offene (OPEN) und eine härtere (FIRM) Einstellung. Die härtere Einstellung ist ideal für den Weg zum Trail, lange Forststraßen-Anstiege oder glatte XC-Rennstrecken, bei denen man sich ein härteres Fahrwerk wünscht.



3-Positionen-Hebel

An den Float-DPS- & -SL-Dämpfer gibt es einen Hebel mit drei Einstellungen für eine komplett offene (OPEN), eine mittlere (MEDIUM) und eine härtere (FIRM) Einstellung. Leichtere Fahrer unter 72 kg können die meiste Zeit in der komplett offenen Position fahren. Fahrer um die 86 kg und darüber sowie aggressiverer Fahrer, die etwas mehr Unterstützung im mittleren Federwegsbereich benötigen, werden generell die mittlere Einstellung bevorzugen. Die härtere Einstellung ist ideal für den Weg zum Trail, lange Forststraßen-Anstiege oder glatte XC-Rennstrecken, bei denen man sich ein härteres Fahrwerk wünscht.



Offener-Modus-Einstellknopf

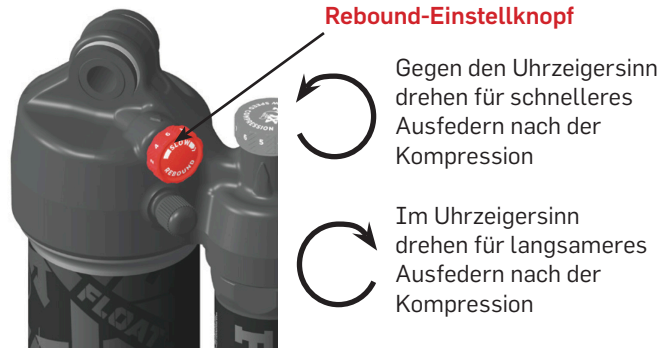
Alle Factory-Float-Dämpfer haben drei zusätzliche Einstelloptionen, die die offene (OPEN) Einstellung über den **schwarzen** Einsteller beeinflussen. Der Knopf muss leicht herausgezogen werden, um ihn in die drei Positionen drehen zu können. #1 ist ganz offen bzw. mit am wenigsten Compression-Dämpfung und #3 die härteste (aber noch etwas weniger hart als die mittlere Position des **blauen** Hebels). Du kannst mit allen Optionen herumexperimentieren und die Einstellung verwenden, die für dich die beste Unterstützung und das satteste Fahrgefühl vereint. Abgesehen von der härtesten Einstellung bei steinigem Abfahrten sind alle Einstellungen so konzipiert, dass sie in verschiedenstem Gelände und bei unterschiedlichsten Fahrergewichten gut funktionieren.





Rebound-Dämpfung

Die Einstellung vom Rebound ist abhängig vom Luftdruck im Dämpfer. Zum Beispiel erfordern höhere Luftdrücke einen langsameren Rebound. Wir stellen die Rebound-Einstellung von der schnellsten Position, also wenn die Dämpfung komplett offen ist, ein. Zur Einstellung drehst du also den **roten** Einstellknopf im Uhrzeigersinn. Verwende zunächst die Tabelle auf der rechten Seite, um die Rebound-Empfehlung herauszufinden. Die **fett markierte** Nummer in der Tabelle gibt an, um wie viele Klicks du den Knopf im Uhrzeigersinn drehen solltest. Fox stellt den Rebound von der geschlossenen Position aus ein, daher wurde dies in der Tabelle in Klammern angegeben.



Empfohlene Rebound-Einstellung (Float X)	
Luftdruck [psi]	Klicks von offen (Klicks von geschlossen)
<120	3 (9)
120-140	4 (8)
140-160	5 (7)
160-180	6 (6)
180-200	7 (5)
200-220	8 (4)
220-240	9 (3)
240-260	10 (2)
260-280	11 (1)
280-300	GESCHLOSSEN

Compression-Dämpfung

2-Positionen-Hebel

An den Float-X-Dämpfern gibt es einen Hebel mit zwei Einstellungen für eine komplett offene (OPEN) und eine härtere (FIRM) Einstellung für Anstiege. In den meisten Situationen ist es am besten, den Hebel in der offenen Stellung zu fahren. Wie mit anderen Dämpfern auch, ist die geschlossene Einstellung am besten für lange Forststraßen-Anstiege oder glatte XC-Rennstrecken.



Low-Speed-Compression-Einstellknopf

Am Float-X-Dämpfer aus der Factory-Baureihe ist ein **blauer** Low-Speed-Compression-Einstellknopf verbaut. Mit diesem Einstellknopf kann die offene Einstellung in 10 Schritten feinjustiert werden. Durch Drehen des Einstellers im Uhrzeigersinn wird die Low-Speed-Compression erhöht. Dreht man gegen den Uhrzeigersinn, wird die Low-Speed-Compression reduziert. Du kannst mit allen Optionen herumexperimentieren und die Einstellung verwenden, die für dich die beste Unterstützung und das satteste Fahrgefühl vereint.



Empfohlene Compression-Einstellung (Float X)	
Fahrgewicht	Klicks von offen (Klicks von geschlossen)
<120 [lbs] <54 [kg]	OFFEN
140-150 [lbs] 63-68 [kg]	1 (9)
150-160 [lbs] 68-72 [kg]	2 (8)
160-170 [lbs] 72-77 [kg]	3 (7)
170-180 [lbs] 77-81 [kg]	4 (6)
180-190 [lbs] 81-86 [kg]	5 (5)
190-200 [lbs] 86-90 [kg]	6 (4)
200-210 [lbs] 90-95 [kg]	7 (3)
210-220 [lbs] 95-100 [kg]	8 (2)
220-230 [lbs] 100-104 [kg]	9 (1)
>230 [lbs] >104 [kg]	GESCHLOSSEN



Sag am Fox Float-X2-Dämpfer einstellen

Man beginnt mit den gleichen Schritten wie auf Seite zwei beschrieben. Am Float X2 Dämpfer gibt es keinen Sag-Indikator. Bitte verwende die nachfolgenden Werte, um deinen Sag zu bestimmen. Verschiedene Modelle und Größen von Pivot-Bikes verwenden unterschiedliche Dämpferlängen. Dementsprechend benötigen sie unterschiedliche Sag-Einstellungen. Für Bike-Modelle, welche auf dieser Seite nicht aufgeführt sind, sind die Vorgaben von Seite zwei zu verwenden. Das entsprechende Bike-Modell ist unter dem zugehörigen Diagramm zu finden. Der X2-Dämpfer findet sich am Phoenix 29, Firebird und Mach 6. Hier ist der Sag korrekt eingestellt, wenn der O-Ring nach dem Absteigen vom Bike in einer Linie mit dem Ende des Ausgleichsbehälters liegt. Dies findet sich in nachfolgendem Diagramm.



205x65
Mach 6
Firebird



250x70
Phoenix

Dämpfungs-Einstellung am Fox Float X2

Am X2-Luftdämpfer gibt es so viele Einstellungsmöglichkeiten – das können wir hier nicht alles abdecken. Der Dämpfer kann nicht nur durch die HSC-, LSC-, HSR- und LSR-Einstellknöpfe, sondern außerdem durch den Luftdruck im Dämpfer und das Hinzufügen oder Entfernen von Volumen-Spacern feinjustiert werden. Wir setzen eine Luftfeder-Kennlinie ein, die für ein großes Spektrum an Fahrern funktioniert, sogar für unser World Cup DH-Team. Eine Anpassung der Werksabstimmung der Luftfeder-Kennlinie durch Volumenspacer ist also nicht unbedingt notwendig.

Wir empfehlen 30 % Sag am Float X2-Luftdämpfer. Von dieser Sag-Einstellung kannst du mit deinem individuellen Luftdruck in der Fox Tuning-Tabelle auf der nächsten Seite eine gute Grundeinstellung für die High-Speed-Compression (HSC), Low-Speed-Compression (LSC), High-Speed-Rebound (HSR) und Low-Speed-Rebound (LSR) finden. Diese Einstellungen können auch auf Float X2-Dämpfer aus der Performance Baureihe übertragen werden, die lediglich eine LSC- und LSR-Einstellung ermöglichen. Die Nummer in der Tabelle gibt an, um wie viele Klicks du den Einstellknopf im Uhrzeigersinn drehen solltest. Fox stellt den Dämpfer von der geschlossenen Position aus ein, daher wurde dies in der Tabelle in Klammern angegeben.

Im Schaubild auf der rechten Seite siehst du, wo die verschiedenen Einstellknöpfe am Float X2-Dämpfer angebracht sind.

2-Positionen-Hebel

An den X2-Dämpfern gibt es einen Hebel mit zwei Einstellungen für eine komplett offene (OPEN) und eine härtere (FIRM) Einstellung für Anstiege. In den meisten Situationen ist es am besten, den Hebel in der offenen Stellung zu fahren. Wie mit anderen Dämpfern auch, ist die geschlossene Einstellung am besten für lange Forststraßen-Anstiege oder glatte XC-Rennstrecken.



Dämpfungs-Einstellung am FOX Float X2



Wir fahren für gewöhnlich etwas langsamere Rebound-Einstellungen und leichtere Compression-Einstellungen innerhalb der angegebenen Bandbreite. Fährst du beispielsweise 200 psi in deinem Dämpfer, ist die LSR-Empfehlung zwischen 6 und 8 Klicks vom offenen Zustand. Wir empfehlen dir bei 8 Klicks zu starten. Beim HSR sind 4 bis 5 Klicks angegeben, wir empfehlen bei 5 zu starten. Bei der Compression-Empfehlung für 200 psi sind 1 bis 2 Klicks von offen angegeben. Hier empfehlen wir dir 1 Klicks. Die HSC-Empfehlung lautet: 1 bis 2 Klicks – wir schlagen 1 Klicks für den Anfang vor. Folgst du diesem Beispiel für den Druck, den du in deinem Dämpfer fährst, dann hast du eine exzellente Grundeinstellung, die möglicherweise keine weitere Einstellung benötigt. Die **fett markierte** Nummer in der Tabelle gibt an, um wie viele Klicks du den Knopf im Uhrzeigersinn drehen solltest. Fox stellt den Dämpfer von der geschlossenen Position aus ein, daher wurde dies in der Tabelle in Klammern angegeben.

Weitere Details und eine komplette Anleitung zur Einstellung des Fox Float X2 findest du auf der Fox-Website: www.ridefox.com

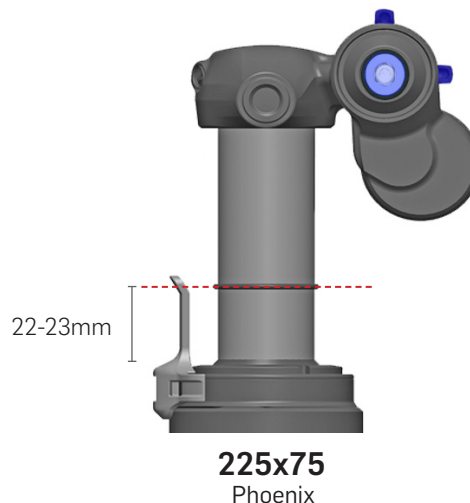
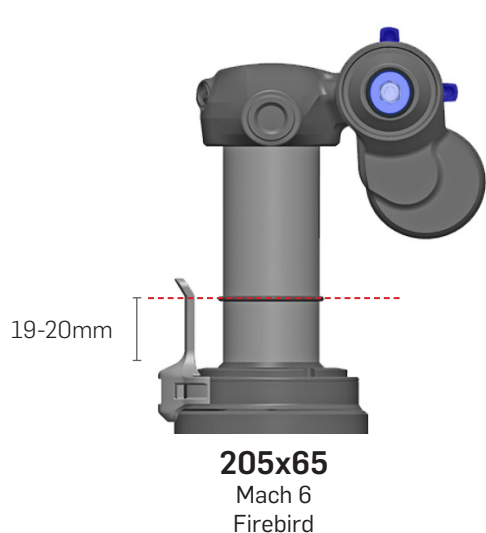
Tabelle für Rebound- & Compression-Dämpfung am Fox Float X2

EMPFOHLENE EINSTELLUNGEN FOX FLOAT X2				
Luftdruck [psi]	Empfehlung LSR (3 mm Imbus)	Empfehlung HSR (2 mm Imbus)	Empfehlung LSC (3 mm Imbus)	Empfehlung HSC (6 mm Imbus)
	Klicks von offen (Klicks von geschlossen)			
90	OFFEN-2 (14-16)	OFFEN-1 (7-8)	OFFEN (16)	OFFEN-1 (7-8)
100	OFFEN-2 (14-16)	OFFEN-1 (7-8)	OFFEN (16)	OFFEN-1 (7-8)
110	1-3 (13-15)	1-2 (6-7)	OFFEN-1 (16)	OFFEN-1 (7-8)
120	1-3 (13-15)	1-2 (6-7)	OFFEN-1 (16)	OFFEN-1 (7-8)
130	2-4 (12-14)	2-3 (5-6)	OFFEN-1 (16)	OFFEN-1 (7-8)
140	3-5 (11-13)	2-3 (5-6)	OFFEN-1 (16)	OFFEN-1 (7-8)
150	4-6 (10-12)	2-3 (5-6)	OFFEN-1 (16)	OFFEN-1 (7-8)
160	4-6 (10-12)	3-4 (4-5)	OFFEN-1 (16)	OFFEN-1 (7-8)
170	5-7 (9-11)	3-4 (4-5)	1-2 (14-15)	1-2 (6-7)
180	5-7 (9-11)	3-4 (4-5)	1-2 (14-15)	1-2 (6-7)
190	6-8 (8-10)	4-5 (3-4)	1-2 (14-15)	1-2 (6-7)
200	6-8 (8-10)	4-5 (3-4)	1-2 (14-15)	1-2 (6-7)
210	7-9 (7-9)	4-5 (3-4)	1-2 (14-15)	1-2 (6-7)
220	7-9 (7-9)	4-5 (3-4)	1-2 (14-15)	1-2 (6-7)
230	8-10 (6-8)	4-5 (3-4)	1-2 (14-15)	1-2 (6-7)
240	8-10 (6-8)	5-6 (2-3)	2-3 (13-14)	2-3 (6-5)
250	9-11 (5-7)	5-6 (2-3)	2-3 (13-14)	2-3 (6-5)
260	10-12 (4-6)	6-7 (1-2)	2-3 (13-14)	2-3 (6-5)
270	11-13 (3-5)	6-7 (1-2)	2-3 (13-14)	2-3 (6-5)
280	12-14 (2-4)	6-7 (1-2)	3-4 (12-13)	3-4 (4-5)
290	13-15 (1-2)	7-8 (0-1)	3-4 (12-13)	3-4 (4-5)
300	14-16 (0-2)	7-8 (0-1)	4-5 (11-12)	4-5 (3-4)



Sag am 2026 Fox Float-X2-Dämpfer einstellen

Stellen Sie den SAG zunächst wie bei den Stoßdämpfern auf Seite 2 ein. Richten Sie beim Firebird und Mach 6 den O-Ring an der roten Linie der SAG-Anzeige aus. Richten Sie beim Phoenix den O-Ring zwischen der roten Linie und dem Ende der Anzeige aus. Falls Sie keine SAG-Anzeige besitzen, können Sie den SAG anhand der unten aufgeführten Messungen bestimmen. Verschiedene Modelle und Größen von Pivot-Bikes verwenden unterschiedlich lange Stoßdämpfer und erfordern daher unterschiedliche SAG-Einstellungen. Für hier nicht abgebildete Fahrradmodelle verwenden Sie die SAG-Messwerte auf Seite 2.



Dämpfungs-Einstellung am 2026 Fox Float X2

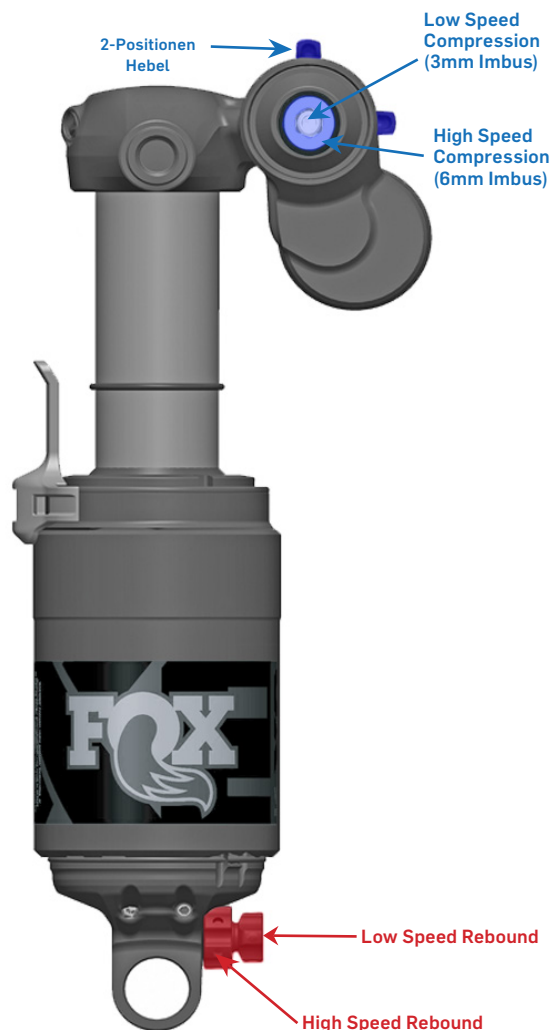
Am X2-Luftdämpfer gibt es so viele Einstellungsmöglichkeiten – das können wir hier nicht alles abdecken. Der Dämpfer kann nicht nur durch die HSC-, LSC-, HSR- und LSR-Einstellknöpfe, sondern außerdem durch den Luftdruck im Dämpfer und das Hinzufügen oder Entfernen von Volumen-Spacern feinjustiert werden. Wir setzen eine Luftfeder-Kennlinie ein, die für ein großes Spektrum an Fahrern funktioniert, sogar für unser World Cup DH-Team. Eine Anpassung der Werksabstimmung der Luftfeder-Kennlinie durch Volumenspacer ist also nicht unbedingt notwendig.

Wir empfehlen 30 % Sag am Float X2-Luftdämpfer. Von dieser Sag-Einstellung kannst du mit deinem individuellen Luftdruck in der Fox Tuning-Tabelle auf der nächsten Seite eine gute Grundeinstellung für die High-Speed-Compression (HSC), Low-Speed-Compression (LSC), High-Speed-Rebound (HSR) und Low-Speed-Rebound (LSR) finden. Diese Einstellungen können auch auf Float X2-Dämpfer aus der Performance Baureihe übertragen werden, die lediglich eine LSC- und LSR-Einstellung ermöglichen. Die Nummer in der Tabelle gibt an, um wie viele Klicks du den Einstellknopf im Uhrzeigersinn drehen solltest. Fox stellt den Dämpfer von der geschlossenen Position aus ein, daher wurde dies in der Tabelle in Klammern angegeben.

Im Schaubild auf der rechten Seite siehst du, wo die verschiedenen Einstellknöpfe am Float X2-Dämpfer angebracht sind.

2-Positionen-Hebel

An den X2-Dämpfern gibt es einen Hebel mit zwei Einstellungen für eine komplett offene (OPEN) und eine härtere (FIRM) Einstellung für Anstiege. In den meisten Situationen ist es am besten, den Hebel in der offenen Stellung zu fahren. Wie mit anderen Dämpfern auch, ist die geschlossene Einstellung am besten für lange Forststraßen-Anstiege oder glatte XC-Rennstrecken.





Wir fahren für gewöhnlich etwas langsamere Rebound-Einstellungen und leichtere Compression-Einstellungen innerhalb der angegebenen Bandbreite. Fährst du beispielsweise 210 psi in deinem Dämpfer, ist die LSR-Empfehlung zwischen 7 und 9 Klicks vom offenen Zustand. Wir empfehlen dir bei 9 Klicks zu starten. Beim HSR sind 4 bis 5 Klicks angegeben, wir empfehlen bei 5 zu starten. Bei der Compression-Empfehlung für 210 psi sind 6 bis 7 Klicks von offen angegeben. Hier empfehlen wir dir 6 Klicks. Die HSC-Empfehlung lautet: 3 bis 4 Klicks – wir schlagen 3 Klicks für den Anfang vor. Folgst du diesem Beispiel für den Druck, den du in deinem Dämpfer fährst, dann hast du eine exzellente Grundeinstellung, die möglicherweise keine weitere Einstellung benötigt. Die **fett markierte** Nummer in der Tabelle gibt an, um wie viele Klicks du den Knopf im Uhrzeigersinn drehen solltest. Fox stellt den Dämpfer von der geschlossenen Position aus ein, daher wurde dies in der Tabelle in Klammern angegeben.

Weitere Details und eine komplette Anleitung zur Einstellung des Fox Float X2 findest du auf der Fox-Website: www.ridefox.com

Tabelle für Rebound- & Compression-Dämpfung am 2026 Fox Float X2

EMPFOHLENE EINSTELLUNGEN 2026 FOX FLOAT X2				
Luftdruck [psi]	Empfehlung LSR (3 mm Imbus)	Empfehlung HSR (2 mm Imbus)	Empfehlung LSC (3 mm Imbus)	Empfehlung HSC (6 mm Imbus)
	Klicks von offen (Klicks von geschlossen)			
<100 psi <6.9 bar	OFFEN-2 (14-16)	OFFEN-1 (7-8)	OFFEN-2 (14-16)	OFFEN-1 (7-8)
100-120 psi 6.9-8.3 bar	1-3 (13-15)	1-2 (6-7)	3-5 (11-13)	OFFEN-1 (7-8)
120-140 psi 8.3-9.7 bar	2-4 (12-14)	2-3 (5-6)	3-5 (11-13)	1-2 (6-7)
140-160 psi 9.7-11 bar	3-5 (11-13)	2-3 (5-6)	6-7 (9-10)	1-2 (6-7)
160-180 psi 11-12.4 bar	5-7 (9-11)	3-4 (4-5)	6-7 (9-10)	2-3 (5-6)
180-200 psi 12.4-13.8 bar	7-9 (7-9)	3-4 (4-5)	6-7 (9-10)	2-3 (5-6)
200-220 psi 13.8-15.2 bar	8-10 (6-8)	4-5 (3-4)	6-7 (9-10)	3-4 (4-5)
220-240 psi 15.2-16.5 bar	9-11 (5-7)	4-5 (3-4)	6-7 (9-10)	3-4 (4-5)
240-260 psi 16.5-17.9 bar	10-12 (4-6)	4-5 (3-4)	8-9 (7-8)	5-6 (4-5)
260-280 psi 17.9-19.3 bar	11-13 (3-5)	5-6 (2-3)	8-9 (7-8)	5-6 (2-3)
280-300 psi 19.3-20.7 bar	12-14 (2-4)	5-6 (2-3)	8-9 (7-8)	5-6 (2-3)
300-320 psi 20.7- 22.1 bar	13-15 (1-3)	6-7 (1-2)	8-9 (7-8)	5-6 (2-3)



Sag am Stahlfeder-Dämpfer einstellen

Für die Sag-Einstellung an einem Stahlfeder-Dämpfer brauchst du einen Freund und ein Maßband mit Millimeter-Skala. Zuerst misst du den Abstand von Dämpferauge zu Dämpferauge, das ist der Abstand von den zwei Dämpfer-Aufhängungspunkten zueinander. Am Mach 6 solltest du auf 205 mm von Schraubenmitte zu Schraubenmitte kommen. Die richtige Sag-Einstellung für das Mach 6 oder Firebird ist bei 19–20 mm. Sitzt du auf dem Bike und hast es einmal ordentlich durch gefedert, sollte der belastete Dämpfer nur noch 186-185 mm von Dämpferauge zu Dämpferauge messen.

1. Vor der Sag-Einstellung solltest du den *blauen* Compression-Hebel immer auf „OPEN“ stellen.
2. Wenn dein Dämpfer zusätzliche Compression- oder Rebound-Einstellungen hat, stelle sicher, dass diese komplett offen sind. Bei der Compression also die leichteste Einstellung, beim Rebound die schnellste Einstellung.
3. Drehe das Preload-Einstellrad (Vorspannung) gerade so weit, dass der Federteller und die Feder Kontakt haben und nur minimale Spannung anliegt. An Fox-Dämpfern sollten das etwa 8 Klicks am Preload-Einstellrad sein.
4. Suche dir einen ebenen Untergrund und etwas, woran du dich festhalten oder anlehnen kannst, während du auf dem Bike stehst oder sitzt. Einfacher geht das, wenn du eine Person als Hilfe hast, die vor dem Rad steht und den Lenker festhält, um dich zu stabilisieren, während du auf dem Bike stehst oder sitzt.
5. Setze dich aus dem Stand mit Schwung in den Sattel, damit die Federung durch gefedert wird. Dadurch wird sich der Sag mit sitzendem Fahrer einstellen.
6. Während du unbewegt im Sattel sitzt, lässt du jetzt die helfende Person den Abstand von Dämpferauge zu Dämpferauge ausmessen. Ziehe diesen gemessenen Wert von deinem gemessenen Wert im ausgefederten Zustand ab.
7. Ist das Ergebnis kleiner als der empfohlene Sag von 19 bis 20 mm, musst du auf eine Feder mit niedrigerer Federrate wechseln.
8. Ist das Ergebnis größer als der empfohlene Sag von 19 bis 20 mm, kannst du das Preload-Einstellrad bis zu 26 Klicks im Uhrzeigersinn drehen, ausgehend von der Position, wo sich Feder und Federteller gerade so berührt haben. Kannst du damit nicht den empfohlenen Sag erzielen, musst du auf eine Feder mit höherer Federrate wechseln.
9. Hast du den richtigen Sag eingestellt, kannst du die Compression- und Rebound-Dämpfung nach der Empfehlung auf Seite 9 einstellen, um dein Fahrwerkssetup abzuschließen



*Informationen zum Ein- und Ausbau der Federn finden Sie in Ihrem Stoßdämpferhandbuch. Stahlfederdämpfer.

FIREBIRD & MACH 6

Die folgende Tabelle enthält Empfehlungen für verschiedene Fahrergewichte, Federlängen und Federwegsoptionen für Fox- und Marzocchi-Dämpfer (205 x 65 mm) im Mach 6 und Firebird. Fahrer mit leicht unterschiedlichen Federraten benötigen eine steifere oder weichere Feder, um 30 % Sag zu erreichen. ACHTUNG: Federlänge und HUB können sich bei unterschiedlichen Federraten ändern. Schau auf der [Fox-Feder-Infoseite](#) auf der Website nach, um die richtige Größe und Teilenummer zu ermitteln.

FEDER-HÄRTE	LÄNGE FEDER	HUB FEDER	INNEN-DURCHMESSER	FAHRER-GEWICHT
350 lb.	5.24"	2.9"	1.385"	< 130lb.(59kg)
400 lb.	5.14"	2.65"	1.385"	130lb.(59kg) – 150lb.(68kg)
450 lb.	5.11"	2.65"	1.385"	150lb.(68kg) – 170lb.(77kg)
500 lb.	5.32"	2.65"	1.385"	170lb.(77kg) – 190lb.(86kg)
550 lb.	5.38"	2.65"	1.385"	190lb.(86kg) – 210lb.(95kg)
600 lb.	5.47"	2.65"	1.385"	210lb.(95kg) – 230lb.(104kg)
650 lb.	5.6"	2.65"	1.385"	> 230lb.(104kg)



PHOENIX

Die folgende Tabelle enthält Empfehlungen für verschiedene Fahrergewichte, Federlängen und Federwegsoptionen für Fox- und Marzocchi-Dämpfer (225 x 75 mm) im Phoenix. Fahrer mit leicht unterschiedlichen Federraten benötigen eine steifere oder weichere Feder, um 30 % Sag zu erreichen. ACHTUNG: Federlänge und HUB können sich bei unterschiedlichen Federraten ändern. Schau auf der [Fox-Feder-Informationseite](#) auf der Website nach, um die richtige Größe und Teilenummer zu ermitteln.

FEDER-HÄRTE	LÄNGE FEDER	HUB FEDER	INNEN-DURCHMESSER	FAHRER-GEWICHT
350 lb.	6.69"	3.25"	1.385"	< 130lb.(59kg)
400 lb.	6.63"	3.25"	1.385"	130lb.(59kg) – 150lb.(68kg)
450 lb.	6.76"	3.25"	1.385"	150lb.(68kg) – 170lb.(77kg)
500 lb.	6.91"	3.25"	1.385"	170lb.(77kg) – 190lb.(86kg)
550 lb.	6.93"	3.25"	1.385"	190lb.(86kg) – 210lb. (95kg)
600 lb.	7.11"	3.25"	1.385"	210lb. (95kg) – 230lb. (104kg)
650 lb.	6.81"	3.25"	1.385"	> 230lb. (104kg)

Progressiver Flip-Chip

Firebird und Phoenix verfügen über einen progressiven Flip-Chip an der unteren Dämpferaufnahme. Damit können Sie die Federkennlinie Ihres Bikes individuell an Ihre Fahrgewohnheiten anpassen. Der Progressiv-Chip hat zwei Positionen. Um die Einstellung zu ändern, lösen Sie die untere Dämpferschraube, bis Sie den Flip-Chip auf der Nicht-Antriebsseite entfernen können. Entfernen Sie anschließend auch den Flip-Chip auf der Antriebsseite. Drehen Sie beide Chips um 180 Grad und setzen Sie sie wieder in den Rahmen ein. Ziehen Sie die Dämpferschraube mit 13 Nm an. Eine Schritt-für-Schritt-Anleitung für Modelle mit dieser Funktion finden Sie auf unserer Website.

Die progressive Einstellung wird für Stahlfederdämpfer empfohlen. Die progressivere Einstellung erfolgt mit der unteren Dämpferschraube in der hinteren Position. Diese Einstellung sorgt für mehr Anlauf und Unterstützung am Ende des Federwegs. Wenn Sie ein gleichmäßigeres Fahrgefühl über den gesamten Federweg und ein geschmeidigeres Fahrgefühl wünschen, ist die lineare Einstellung die richtige Wahl. Bei der lineareren Einstellung befindet sich der Chip umgedreht, sodass sich die Dämpferschraube in der vorderen Position befindet.



Progressive



Lineare

Dämpfungs-Einstellung am FOX DHX2 Coil



Am DHX2-Dämpfer gibt es so viele Einstellmöglichkeiten – das können wir hier nicht alles abdecken. Der Dämpfer kann nicht nur durch die HSC-, LSC-, HSR- und LSR-Einstellknöpfe, sondern außerdem durch die Federrate feinjustiert werden.

Wir empfehlen 30 % Sag am DHX2-Stahlfeder-Dämpfer. Aufbauend auf deiner passenden Federhärte findest du in der Fox Tuning-Tabelle auf der nächsten Seite eine gute Grundeinstellung für die High-Speed-Compression (HSC), Low-Speed-Compression (LSC), High-Speed-Rebound (HSR) und Low-Speed-Rebound (LSR) finden. Die **fett markierte** Nummer in der Tabelle gibt an, um wie viele Klicks du den Knopf im Uhrzeigersinn drehen solltest. Fox stellt den Dämpfer von der geschlossenen Position aus ein, daher wurde dies in der Tabelle in Klammern angegeben.

Im Schaubild auf der rechten Seite siehst du, wo die verschiedenen Einstellknöpfe am DHX2-Dämpfer angebracht sind.

Weitere Details und eine komplette Anleitung zur Einstellung des Fox DHX2 findest du auf der Fox-Website: www.ridefox.com

Tabelle für Rebound- & Compression-Dämpfung am Fox DHX2

EMPFOHLENE EINSTELLUNGEN FOX FLOAT DHX2				
Federhärte	Empfehlung LSR (3 mm Imbus)	Empfehlung HSR (2 mm Imbus)	Empfehlung LSC (3 mm Imbus)	Empfehlung HSC (6 mm Imbus)
	Klicks von offen (Klicks von geschlossen)			
200	OFFEN-2 (14-16)	OFFEN-1 (7-8)	OFFEN (16)	OFFEN-1 (7-8)
225	1-3 (13-15)	1-2 (6-7)	OFFEN-1 (16)	OFFEN-1 (7-8)
250	1-3 (13-15)	1-2 (6-7)	OFFEN-1 (16)	OFFEN-1 (7-8)
275	2-4 (12-14)	2-3 (5-6)	OFFEN-1 (16)	OFFEN-1 (7-8)
300	3-5 (11-13)	2-3 (5-6)	OFFEN-1 (16)	OFFEN-1 (7-8)
325	4-6 (10-12)	2-3 (5-6)	OFFEN-1 (16)	OFFEN-1 (7-8)
350	4-6 (10-12)	3-4 (4-5)	OFFEN-1 (16)	OFFEN-1 (7-8)
375	5-7 (9-11)	3-4 (4-5)	1-2 (14-15)	1-2 (6-7)
400	5-7 (9-11)	3-4 (4-5)	1-2 (14-15)	1-2 (6-7)
425	6-8 (8-10)	4-5 (3-4)	1-2 (14-15)	1-2 (6-7)
450	6-8 (8-10)	4-5 (3-4)	1-2 (14-15)	1-2 (6-7)
475	7-9 (7-9)	4-5 (3-4)	1-2 (14-15)	1-2 (6-7)
500	7-9 (7-9)	4-5 (3-4)	1-2 (14-15)	1-2 (6-7)
525	8-10 (6-8)	4-5 (3-4)	1-2 (14-15)	1-2 (6-7)
550	8-10 (6-8)	5-6 (2-3)	2-3 (13-14)	2-3 (6-5)
575	9-11 (5-7)	5-6 (2-3)	2-3 (13-14)	2-3 (6-5)
600	10-12 (4-6)	6-7 (1-2)	2-3 (13-14)	2-3 (6-5)
625	11-13 (3-5)	6-7 (1-2)	2-3 (13-14)	2-3 (6-5)
650	12-14 (2-4)	6-7 (1-2)	3-4 (12-13)	3-4 (4-5)
675	13-15 (1-2)	7-8 (0-1)	3-4 (12-13)	3-4 (4-5)
700	14-16 (0-2)	7-8 (0-1)	4-5 (11-12)	4-5 (3-4)
725	14-16 (0-2)	7-8 (0-1)	4-5 (11-12)	4-5 (3-4)



6. FOX Float Luft-Federgabel



Sag an FOX-Float-Luft-Federgabeln einstellen

Ein guter Start-Wert für den Sag ist im Bereich von 15 % bis 20 % des vollständigen Federwegs. Der Sag der Gabel wird ähnlich wie bei dem Dämpfereingestellt und basiert auf dem Gewicht des Fahrers in neutraler, fahrender Sitzposition. Um den Federgabel-Sag zu überprüfen, gehst du genauso vor, wie bei dem Dämpfer. Schiebe den O-Ring in Sitzposition nach unten zum Staubabstreifer und steige vorsichtig (ohne einzufedern) vom Bike ab. Der Abstand zwischen dem O-Ring und dem Staubabstreifer kann durch den Federweg der Gabel geteilt werden, um den prozentualen Sag zu ermitteln.

Die unten stehende Tabelle enthält Luftdruck-Empfehlungen für die Sag-Einstellung. In unseren eigenen Tests haben wir herausgefunden, dass diese Empfehlungen für manche Fahrer zu hoch sind und die gesamte Federwegausnutzung beschränken. Eventuell muss hier mit einem geringeren Luftdruck gearbeitet werden, wenn der gesamte Federweg nicht genutzt werden kann. Insgesamt beobachten wir, dass viele 2 bis 3 Stufen der Druckempfehlungen nach unten gehen. Die Fox-Tabelle findest du unter: www.ridefox.com.

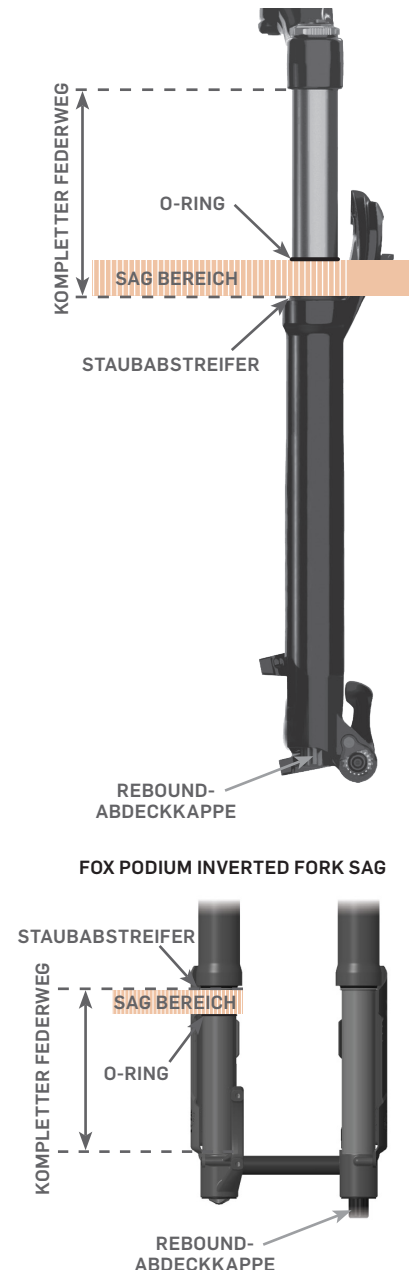
Verwenden wir zum Beispiel eine 90 kg Person mit einer Fox Float 36 – die Empfehlung liegt hier bei 94 bis 99 psi in der Luftkammer. Unsere Empfehlung für dieses Fahrergewicht liegt zwischen 86 und 89 psi, also 2 bis 3 Zeilen in der Fox-Tabelle nach oben. Das heißt weniger Luftdruck für ein weicheres und mehr ausbalanciertes Fahrgefühl.

Hast du den richtigen Luftdruck für dich gefunden, kannst du mit den Dämpfungs-Einstellungen für deine Federgabel fortfahren.

*Übersteige nicht den maximalen Luftdruck, der auf deiner Federgabel steht.

FAHRER-GEWICHT	32 SC FLOAT	34 FLOAT	34 SC FLOAT	36 FLOAT	38 FLOAT	Fox Podium	40 FLOAT
120-130 [lbs] 54-59 [kg]	57 [psi] 3.9 [bar]	56 [psi] 3.8 [bar]	57 [psi] 3.9 [bar]	58 [psi] 4 [bar]	62 [psi] 4.3 [bar]	52 [psi] 3.6 [bar]	46 [psi] 3.1 [bar]
130-140 [lbs] 59-63 [kg]	61 [psi] 4.2 [bar]	60 [psi] 4.1 [bar]	61 [psi] 4.2 [bar]	62 [psi] 4.3 [bar]	68 [psi] 4.7 [bar]	57 [psi] 3.9 [bar]	48 [psi] 3.3 [bar]
140-150 [lbs] 63-68 [kg]	65 [psi] 4.5 [bar]	64 [psi] 4.4 [bar]	65 [psi] 4.5 [bar]	66 [psi] 4.6 [bar]	72 [psi] 5.0 [bar]	61 [psi] 4.2 [bar]	52 [psi] 3.6 [bar]
150-160 [lbs] 68-72 [kg]	70 [psi] 4.8 [bar]	69 [psi] 4.8 [bar]	70 [psi] 4.8 [bar]	70 [psi] 4.8 [bar]	76 [psi] 5.2 [bar]	65 [psi] 4.5 [bar]	58 [psi] 4.0 [bar]
160-170 [lbs] 72-77 [kg]	74 [psi] 5.1 [bar]	74 [psi] 5.1 [bar]	74 [psi] 5.1 [bar]	74 [psi] 5.1 [bar]	80 [psi] 5.5 [bar]	70 [psi] 4.8 [bar]	64 [psi] 4.4 [bar]
170-180 [lbs] 77-81 [kg]	80 [psi] 5.5 [bar]	78 [psi] 5.4 [bar]	80 [psi] 5.5 [bar]	78 [psi] 5.4 [bar]	84 [psi] 5.8 [bar]	74 [psi] 5.1 [bar]	68 [psi] 4.7 [bar]
180-190 [lbs] 81-86 [kg]	85 [psi] 5.9 [bar]	83 [psi] 5.7 [bar]	85 [psi] 5.9 [bar]	82 [psi] 5.7 [bar]	89 [psi] 6.1 [bar]	80 [psi] 5.5 [bar]	72 [psi] 5.0 [bar]
190-200 [lbs] 86-90 [kg]	90 [psi] 6.2 [bar]	88 [psi] 6.1 [bar]	90 [psi] 6.2 [bar]	86 [psi] 5.9 [bar]	93 [psi] 6.4 [bar]	85 [psi] 5.9 [bar]	76 [psi] 5.2 [bar]
200-210 [lbs] 90-95 [kg]	96 [psi] 6.6 [bar]	92 [psi] 6.3 [bar]	96 [psi] 6.6 [bar]	89 [psi] 6.1 [bar]	97 [psi] 6.7 [bar]	90 [psi] 6.2 [bar]	80 [psi] 5.5 [bar]
210-220 [lbs] 95-100 [kg]	101 [psi] 7.0 [bar]	97 [psi] 6.7 [bar]	101 [psi] 7.0 [bar]	94 [psi] 6.5 [bar]	102 [psi] 7.0 [bar]	96 [psi] 6.6 [bar]	84 [psi] 5.8 [bar]
220-230 [lbs] 100-104 [kg]	106 [psi] 7.3 [bar]	102 [psi] 7.0 [bar]	106 [psi] 7.3 [bar]	99 [psi] 6.8 [bar]	106 [psi] 7.3 [bar]	101 [psi] 7.0 [bar]	87 [psi] 6.0 [bar]
230-240 [lbs] 104-109 [kg]	111 [psi] 7.7 [bar]	106 [psi] 7.3 [bar]	111 [psi] 7.7 [bar]	105 [psi] 7.2 [bar]	110 [psi] 7.6 [bar]	106 [psi] 7.3 [bar]	90 [psi] 6.2 [bar]
240-250 [lbs] 109-113 [kg]	117 [psi] 8.1 [bar]	111 [psi] 7.7 [bar]	117 [psi] 8.1 [bar]	109 [psi] 7.5 [bar]	114 [psi] 7.9 [bar]	110 [psi] 7.6 [bar]	94 [psi] / 6.5 [bar]

**Diese Werte unterscheiden sich von denen, aus den Fox-Handbüchern.*





Rebound-Dämpfung

Die Einstellung vom Rebound ist abhängig vom Luftdruck. Zum Beispiel erfordern höhere Luftdrücke einen langsameren Rebound. Wir stellen die Rebound-Einstellung von der schnellsten Position, also wenn die Dämpfung komplett offen ist, ein. Zur Einstellung drehst du also den **roten** Einstellknopf im Uhrzeigersinn. Verwende zunächst die Tabelle auf der rechten Seite, um die Rebound-Empfehlung herauszufinden. Die **fett markierte** Nummer in der Tabelle gibt an, um wie viele Klicks du den Knopf im Uhrzeigersinn drehen solltest. Fox stellt den Rebound von der geschlossenen Position aus ein, daher wurde dies in der Tabelle in Klammern angegeben.



Rebound-Einstellknopf



Gegen den Uhrzeigersinn drehen für schnelleres Ausfedern nach der Kompression



Im Uhrzeigersinn drehen für langsamerer Ausfedern nach der Kompression

Empfohlene Rebound- Einstellung FIT4-Dämpfung

Luftdruck	32 SC*/34/34SC*	32/36
	*Step Cast Modelle	
Klicks von offen (Klicks von geschlossen)		
≤65 psi	2 (12)	Open (14)
65-70 psi	3 (11)	1 (13)
70-74 psi	4 (10)	2 (12)
74-80 psi	4 (10)	3 (11)
80-85 psi	5 (9)	5 (9)
85-90 psi	6 (8)	6 (8)
90-96 psi	6 (8)	7 (7)
96-100 psi	7 (7)	8 (6)
100-103 psi	8 (6)	9 (5)
103-106 psi	10 (4)	10 (4)
106-109 psi	11 (3)	11 (3)
109-112 psi	12 (2)	12 (2)
112-115 psi	13 (1)	13 (1)

Compression-Dämpfung

An den Gabeln mit FIT4-Dämpfung ist ein **blauer** Hebel mit drei Positionen für die Compression-Dämpfung angebracht. Die drei Einstellungen sind „Open“, „Medium“ und „Firm“, also offen, eine mittlere Position und eine geschlossene Einstellung. Mit dem **schwarzen** Einstellknopf in der Mitte lässt sich die Low-Speed-Compression in der offenen Stellung feinjustieren. Wir stellen die Compression von der komplett offenen bzw. schnellsten Position ein. Drehe daher den **schwarzen** Knopf komplett gegen den Uhrzeigersinn.

Von der offenen Position drehst du 2 bis 8 Klicks im Uhrzeigersinn (je nach Fahrergewicht). Die meisten Fahrer sollten mit 5 Klicks als Start-Wert zufrieden sein. Bei unter 55 kg Fahrergewicht, sollte man mit 2 Klicks starten.



FIT4-Compression-Einstellknopf & Offener-Modus-Einsteller



Gegen den Uhrzeigersinn drehen zum Öffnen (weniger Dämpfung)

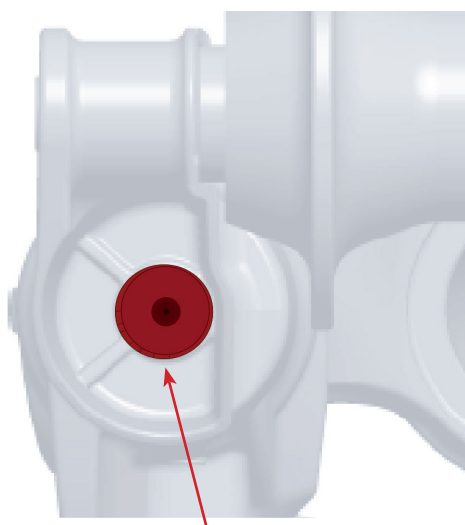


Im Uhrzeigersinn drehen zum Schließen (mehr Dämpfung)



Rebound-Dämpfung

Die Einstellung vom Rebound ist abhängig vom Luftdruck. Zum Beispiel erfordern höhere Luftdrücke einen langsameren Rebound. Wir stellen die Rebound-Einstellung von der schnellsten Position, also wenn die Dämpfung komplett offen ist, ein. Zur Einstellung drehst du also den **roten** Einstellknopf im Uhrzeigersinn. Verwende zunächst die Tabelle auf der rechten Seite, um die Rebound-Empfehlung herauszufinden. Die **fett markierte** Nummer in der Tabelle gibt an, um wie viele Klicks du den Knopf im Uhrzeigersinn drehen solltest. Fox stellt den Rebound von der geschlossenen Position aus ein, daher wurde dies in der Tabelle in Klammern angegeben.



Rebound-Einstellknopf



Gegen den Uhrzeigersinn drehen für schnelleres Ausfedern nach der Kompression

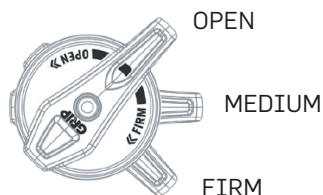


Im Uhrzeigersinn drehen für langsamerer Ausfedern nach der Kompression

Empfohlene Rebound-Einstellung GRIP-Dämpfung	
Luftdruck	Klicks von offen (Klicks von geschlossen)
≤72 psi	1 (13)
72-76 psi	2 (12)
76-80 psi	3 (11)
80-84 psi	4 (10)
84-89 psi	5 (9)
89-93 psi	6 (8)
93-97 psi	7 (7)
97-100 psi	8 (6)
100-104 psi	9 (5)
104-107 psi	10 (4)
107-110 psi	11 (3)
110-114 psi	12 (2)
114-118 psi	13 (1)

Compression-Dämpfung

Der 3-Positionen-Mikro-Einstellhebel ist nützlich, um schnell und ohne viel Aufwand die Performance der Gabel einstellen zu können. Wir empfehlen, mit dem Hebel in komplett offener Stellung zu starten. Diese Einstellung sollte für die meisten schon ausreichen, viele ändern daran nichts. Die mittlere „MEDIUM“-Einstellung eignet sich für glatte XC-Strecken und „FIRM“ für den Weg zum Trail oder bei langen Forststraßen-Anstiegen.



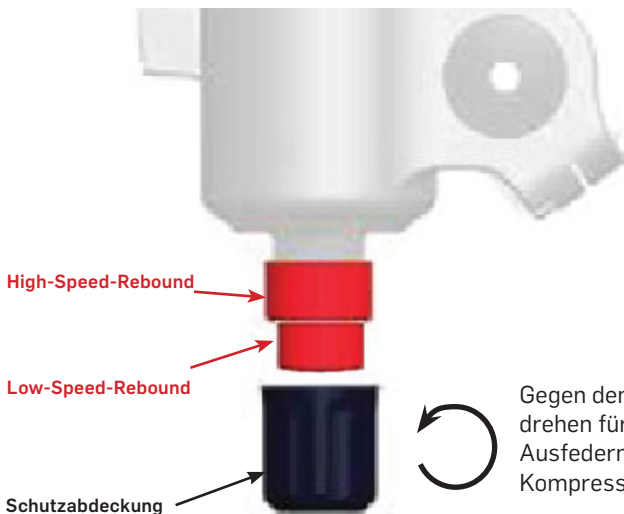
GRIP-Compression-Einstellhebel





Rebound-Dämpfung

Die Einstellung vom Rebound ist abhängig vom Luftdruck. Zum Beispiel erfordern höhere Luftdrücke einen lang-sameren Rebound. GRIP-2-Dämpfungskartuschen haben eine Low-Speed- und eine High-Speed-Rebound-Einstellung. Beide **rote** Einstellknöpfe sind am antriebsseitigen, unteren Ende der Federgabel angebracht. Über den Einstellknöpfen ist eine **schwarze** Abdeckung angebracht. Wir stellen die Rebound-Einstellung von der schnellsten Position, also wenn die Dämpfung komplett offen ist, ein. Verwende zunächst die Tabelle auf der rechten Seite, um die Rebound-Empfehlung herauszufinden. Die **fett markierte** Nummer in der Tabelle gibt an, um wie viele Klicks du den Knopf im Uhrzeigersinn drehen solltest. Fox stellt den Rebound von der geschlossenen Position aus ein, daher wurde dies in der Tabelle in Klammern angegeben.



High-Speed-Rebound

Low-Speed-Rebound

Schutzabdeckung



Gegen den Uhrzeigersinn drehen für schnelleres Ausfedern nach der Kompression



Im Uhrzeigersinn drehen für langsames Ausfedern nach der Kompression

Compression-Dämpfung

An der GRIP-2-Kartusche gibt es zudem Low-Speed-Compression- und High-Speed-Compression-Einstellungsmöglichkeiten. Diese sind auf der antriebsseitigen Oberseite der Gabel angebracht. Der äußere, **blaue** Ring wird für die Einstellung der High-Speed-Compression genutzt und der innere, **schwarze** Einstellknopf für die Low-Speed-Compression. Wir stellen die Compression von der komplett offenen bzw. schnellsten Position ein. Drehe daher den **blauen** und den **schwarzen** Knopf komplett gegen den Uhrzeigersinn. Als Start-Wert drehst du aus der offenen Stellung den **blauen** Einsteller 3 Klicks und den schwarzen Einsteller 2 Klicks im Uhrzeigersinn.



GRIP2-Compression-Einstellknopf



Gegen den Uhrzeigersinn drehen zum Öffnen (weniger Dämpfung)



Im Uhrzeigersinn drehen zum Schließen (mehr Dämpfung)

Empfohlene Rebound-Einstellung GRIP2-Dämpfung

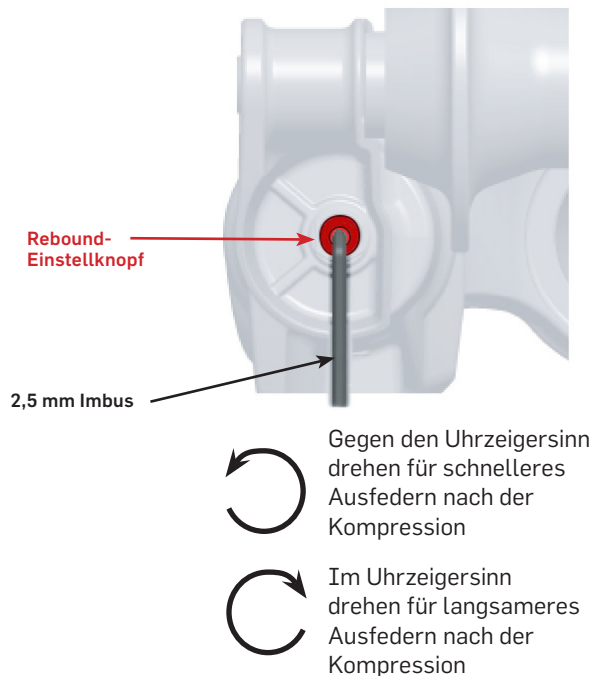
Luftdruck	34/36/38	Luftdruck	40
	LSR / HSR		LSR / HSR
	Klicks von offen (Klicks von geschlossen)		Klicks von offen (Klicks von geschlossen)
≤72 psi	6 / 1 (9 / 8)	≤52 psi	6 / Open (10 / 10)
72-76 psi	7 / 1 (8 / 7)	52-58 psi	7 / 1 (9 / 9)
76-80 psi	8 / 2 (7 / 6)	58-64 psi	8 / 2 (8 / 8)
80-84 psi	8 / 2 (7 / 6)	64-68 psi	8 / 2 (8 / 8)
84-89 psi	9 / 3 (6 / 5)	68-72 psi	9 / 3 (7 / 7)
89-93 psi	9 / 3 (6 / 5)	72-76 psi	9 / 3 (7 / 7)
93-97 psi	11 / 4 (5 / 4)	76-80 psi	10 / 4 (6 / 6)
97-100 psi	12 / 5 (4 / 3)	80-84 psi	11 / 5 (5 / 5)
100-104 psi	12 / 5 (4 / 3)	84-87 psi	11 / 5 (5 / 5)
104-107 psi	13 / 6 (3 / 2)	87-90 psi	12 / 6 (4 / 4)
107-110 psi	14 / 7 (2 / 1)	90-94 psi	13 / 7 (3 / 3)
110-114 psi	14 / 7 (2 / 1)	94-97 psi	13 / 7 (3 / 3)
114-118 psi	15 / 8 (1 / 0)	97-101 psi	14 / 7 (2 / 2)





Rebound-Dämpfung

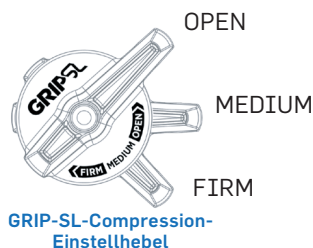
Die Einstellung vom Rebound ist abhängig vom Luftdruck. Zum Beispiel erfordern höhere Luftdrücke einen langsameren Rebound. Der **rote** Einstellknopf ist am antriebsseitigen, unteren Ende der Federgabel angebracht. Zum Einstellen benötigst du einen 2,5 mm Imbus. Wir stellen die Rebound-Einstellung von der schnellsten Position, also wenn die Dämpfung komplett offen ist, ein. Verwende zunächst die Tabelle auf der rechten Seite, um die Rebound-Empfehlung herauszufinden. Die **fett markierte** Nummer in der Tabelle gibt an, um wie viele Klicks du den Knopf im Uhrzeigersinn drehen solltest. Fox stellt den Rebound von der geschlossenen Position aus ein, daher wurde dies in der Tabelle in Klammern angegeben.



Empfohlene Rebound-Einstellung GRIP-SL-Dämpfung	
Luftdruck	Klicks von offen (Klicks von geschlossen)
≤72 psi	1 (13)
72-76 psi	2 (12)
76-80 psi	3 (11)
80-84 psi	4 (10)
84-89 psi	5 (9)
89-93 psi	6 (8)
93-97 psi	7 (7)
97-100 psi	8 (6)
100-104 psi	9 (5)
104-107 psi	10 (4)
107-110 psi	11 (3)
110-114 psi	12 (2)
114-118 psi	13 (1)

Compression-Dämpfung

Wir empfehlen, mit dem Hebel in komplett offener Stellung zu starten. Diese Einstellung sollte für die meisten schon ausreichen, viele ändern daran nichts. Wenn du etwas mehr Compression benötigst, kannst du mit dem Hebel die Low-Speed-Compression einstellen. Kompletzt geschlossen liefert eine fast starre Federung für Anstiege.





Rebound-Dämpfung

Die Einstellung vom Rebound ist abhängig vom Luftdruck. Zum Beispiel erfordern höhere Luftdrücke einen langsameren Rebound. Der **rote** Einstellknopf ist am antriebsseitigen, unteren Ende der Federgabel angebracht. Wir stellen die Rebound-Einstellung von der schnellsten Position, also wenn die Dämpfung komplett offen ist, ein. Verwende zunächst die Tabelle auf der rechten Seite, um die Rebound-Empfehlung heraus-zufinden. Die **fett markierte** Nummer in der Tabelle gibt an, um wie viele Klicks du den Knopf im Uhrzeigersinn drehen solltest. Fox stellt den Rebound von der geschlossenen Position aus ein, daher wurde dies in der Tabelle in Klammern angegeben.



Gegen den Uhrzeigersinn drehen für schnelleres Ausfedern nach der Kompression



Im Uhrzeigersinn drehen für langsamerer Ausfedern nach der Kompression

Empfohlene Rebound-Einstellung GRIP-X-Dämpfung	
Luftdruck	Klicks von offen (Klicks von geschlossen)
≤72 psi	1 (13)
72-76 psi	2 (12)
76-80 psi	3 (11)
80-84 psi	4 (10)
84-89 psi	5 (9)
89-93 psi	6 (8)
93-97 psi	7 (7)
97-100 psi	8 (6)
100-104 psi	9 (5)
104-107 psi	10 (4)
107-110 psi	11 (3)
110-114 psi	12 (2)
114-118 psi	13 (1)

Compression-Dämpfung

An der GRIP-2-Kartusche gibt es zudem Low-Speed-Compression- und High-Speed-Compression-Einstellungsmöglichkeiten. Diese sind auf der antriebsseitigen Oberseite der Gabel angebracht. Der äußere, **blaue** Ring wird für die Einstellung der High-Speed-Compression genutzt und der innere, **schwarze** Einstellknopf für die Low-Speed-Compression. Wir stellen die Compression von der komplett offenen bzw. schnellsten Position ein. Drehe daher den **blauen** und den **schwarzen** Knopf komplett gegen den Uhrzeigersinn. Die **fett markierte** Nummer in der Tabelle gibt an, um wie viele Klicks du den Knopf im Uhrzeigersinn drehen solltest. Fox stellt den Rebound von der geschlossenen Position aus ein, daher wurde dies in der Tabelle in Klammern angegeben.



GRIP-X-Low-Speed-Compression-Einstellknopf (LSC)



GRIP-X-High-Speed-Compression-Einstellknopf (HSC)



Gegen den Uhrzeigersinn drehen zum Öffnen (weniger Dämpfung)



Im Uhrzeigersinn drehen zum Schließen (mehr Dämpfung)

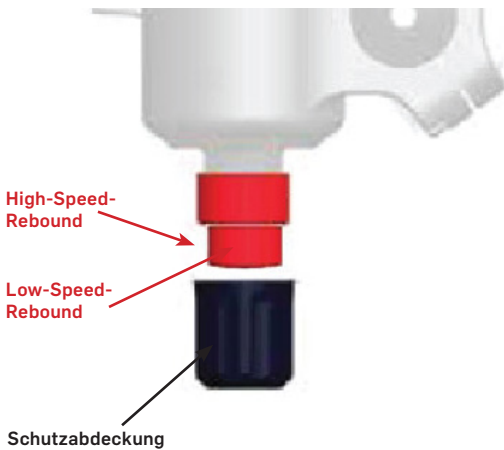
Empfohlene Compression-Einstellung (GRIP X)		
Fahrer-gewicht	LSC	HSC
	Klicks von offen (Klicks von geschlossen)	Klicks von offen (Klicks von geschlossen)
<120 [lbs] <54 [kg]	3 (13)	4 (11)
120-150 [lbs] 54-68 [kg]	4 (12)	5 (10)
150-180 [lbs] 68-81 [kg]	5 (11)	6 (9)
180-210 [lbs] 81-95 [kg]	6 (10)	7 (8)
210-240 [lbs] 95-109 [kg]	7 (9)	8 (7)
>240 [lbs] >109 [kg]	8 (8)	9 (6)

Dämpfungs-Einstellung an Fox-Float-GRIP-X2-Federgabeln



Rebound-Dämpfung

Die Einstellung vom Rebound ist abhängig vom Luftdruck. Zum Beispiel erfordern höhere Luftdrücke einen langsameren Rebound. GRIP-2-Dämpfungskartuschen haben eine Low-Speed- und eine High-Speed-Rebound-Einstellung. Beide *rote* Einstellknöpfe sind am antriebsseitigen, unteren Ende der Federgabel angebracht. Über den Einstellknöpfen ist eine *schwarze* Abdeckung angebracht. Wir stellen die Rebound-Einstellung von der schnellsten Position, also wenn die Dämpfung komplett offen ist, ein. Verwende zunächst die Tabelle auf der rechten Seite, um die Rebound-Empfehlung herauszufinden. Die **fett markierte** Nummer in der Tabelle gibt an, um wie viele Klicks du den Knopf im Uhrzeigersinn drehen solltest. Fox stellt den Rebound von der geschlossenen Position aus ein, daher wurde dies in der Tabelle in Klammern angegeben.



Gegen den Uhrzeigersinn drehen für schnelleres Ausfedern nach der Kompression

Im Uhrzeigersinn drehen für langsames Ausfedern nach der Kompression

Luftdruck [PSI]	Fox 34/36/38/40 Empfohlene Rebound-Einstellung		Fox Podium Empfohlene Rebound-Einstellung	
	LSR	HSR	LSR	HSR
≤ 64 psi	5 (11)	0 (8)	3 (13)	0 (8)
64-68 psi	5 (11)	0 (8)	3 (13)	1 (7)
68-72 psi	6 (9)	1 (7)	4 (12)	2 (6)
72-76 psi	7 (8)	1 (7)	6 (10)	2 (6)
76-80 psi	8 (7)	2 (6)	6 (10)	2 (6)
80-84 psi	8 (7)	2 (6)	7 (9)	3 (5)
84-89 psi	9 (6)	3 (5)	7 (9)	3 (5)
89-93 psi	9 (6)	3 (5)	8 (8)	4 (4)
93-97 psi	11 (5)	4 (4)	9 (7)	4 (4)
97-100 psi	12 (4)	5 (3)	10 (6)	5 (3)
100-104 psi	12 (4)	5 (3)	11 (5)	5 (3)
104-107 psi	13 (3)	6 (2)	12 (4)	5 (3)
107-110 psi	14 (2)	7 (1)	13 (3)	6 (2)
110-114 psi	14 (2)	7 (1)	14 (2)	7 (1)
114-118 psi	15 (1)	8 (0)	15 (1)	8 (0)

Compression-Dämpfung

An der GRIP-X2-Kartusche gibt es zudem Low-Speed-Compression- und High-Speed-Compression-Einstellungsmöglichkeiten. Diese sind auf der antriebsseitigen Oberseite der Gabel angebracht. Der äußere, *blaue* Ring wird für die Einstellung der High-Speed-Compression genutzt und der innere, *schwarze* Einstellknopf für die Low-Speed-Compression. Wir stellen die Compression von der komplett offenen bzw. schnellsten Position ein. Drehe daher den *blauen* und den *schwarzen* Knopf komplett gegen den Uhrzeigersinn. Die **fett markierte** Nummer in der Tabelle gibt an, um wie viele Klicks du den Knopf im Uhrzeigersinn drehen solltest. Fox stellt den Rebound von der geschlossenen Position aus ein, daher wurde dies in der Tabelle in Klammern angegeben.



GRIP-X2-High-Speed-Compression



GRIP-X2-Low-Speed-Compression

Gegen den Uhrzeigersinn drehen zum Öffnen (weniger Dämpfung)

Im Uhrzeigersinn drehen zum Schließen (mehr Dämpfung)

Fahrer-gewicht	Empfohlene Compression-Einstellung (GRIP X2)	
	LSC	HSC
<120 [lbs] <54 [kg]	3 (13)	1 (7)
120-150 [lbs] 54-68 [kg]	4 (12)	2 (6)
150-180 [lbs] 68-81 [kg]	5 (11)	3 (5)
180-210 [lbs] 81-95 [kg]	6 (10)	4 (4)
210-240 [lbs] 95-109 [kg]	7 (9)	5 (3)
>240 [lbs] >109 [kg]	8 (8)	6 (2)



PIVOT
CYCLES

GUÍA DE AJUSTE DE LA SUSPENSIÓN

Para que tu bicicleta Pivot de doble suspensión pedalee y descienda lo mejor posible, es importante ajustar la suspensión correctamente. Utiliza esta guía para familiarizarte con los procedimientos de configuración de la suspensión Pivot y como base para adaptarla a tus propias necesidades. Se trata de una guía completa que abarca las diferentes ofertas de suspensión que tenemos en cada uno de nuestros modelos de bicicleta.

TABLA DE CONTENIDOS	
1. Información general sobre el ajuste de la suspensión	2
2. Fox Float DPS, Float, Float SL y Float X	3
Ajustar el sag en los amortiguadores Fox Float DPS, Float, Float SL y Float X	3
Ajustes de hidráulico en los amortiguadores Fox Float DPS, Float y Float SL	4
Ajustes de hidráulico en el amortiguador Fox Float X	5
3. Fox Float X2	6
Ajustar el sag en el amortiguador Fox Float X2	6
Ajustes de hidráulico en el amortiguador Fox Float X2	6
Tabla de ajuste del rebote y la compresión para el amortiguador Fox Float X2	7
4. Fox Float X2 2026	8
Ajustar el sag en el amortiguador Fox Float X2 2026	8
Ajustes de hidráulico en el amortiguador Fox Float X2 2026	8
Tabla de ajuste del rebote y la compresión para el amortiguador Fox Float X2 2026	9
5. Amortiguadores de muelle	10
Ajustar el sag en amortiguadores de muelle	10
Ajustes de hidráulico en el amortiguador Fox DHX2 Coil	11
Tabla de ajuste del rebote y la compresión para el amortiguador Fox DHX2 Coil	12
6. Horquilla Fox Float Air	13
Ajustar el sag en la horquilla Fox Float Air	13
Ajustes del cartucho hidráulico FIT4 en la horquilla Fox Float Air	14
Ajustes del cartucho hidráulico GRIP en la horquilla Fox Float Air	15
Ajustes del cartucho hidráulico GRIP2 en la horquilla Fox Float Air	16
Ajustes del cartucho hidráulico GRIP SL en la horquilla Fox Float Air	17
Ajustes del cartucho hidráulico GRIP X en la horquilla Fox Float Air	18
Ajustes del cartucho hidráulico GRIP X2 en la horquilla Fox Float Air	19
Mis ajustes y notas	20

1. Información general sobre el ajuste de la suspensión



Asistencia, términos, herramientas y detalles de Pivot

En esta guía de ajuste, aparecen algunos términos que queremos explicar brevemente:

Sag: El sag, o hundimiento, se mide en milímetros o en porcentaje del recorrido total. El sag describe cuánto se comprimirá tu bicicleta bajo tu peso, cuando la bicicleta está en reposo. Un sag adecuado es fundamental para proporcionar la mejor experiencia de conducción.



Escanee para visitar Pivot Pro Garage con videos paso a paso para la configuración del sag y otras configuraciones de bicicletas.

Igualar: Al realizar cambios en la presión de aire de un amortiguador o una horquilla, es conveniente realizar 10 ciclos lentos a lo largo del 25% de su recorrido. Esto igualará las cámaras de aire positiva y negativa para obtener las presiones de aire del sag y el rendimiento adecuados.

Reguladores: La mayoría de los amortiguadores y horquillas tienen mandos, diales o palancas que permiten ajustar la configuración. Muchos no necesitan herramientas y se ajustan a mano, mientras que otros requieren una llave para realizar los cambios.

Clic: Los reguladores de la suspensión suelen tener una indicación, que se puede sentir u oír, al girar el dial. Estos clics facilitan la indexación de los ajustes.

Rebote: El rebote controla la velocidad a la que la horquilla o el amortiguador se extienden después de ser comprimidos. Los reguladores de rebote de casi todos los productos de suspensión son rojos. La posición totalmente abierta (extensión más rápida) se alcanza girando en sentido antihorario o hacia «-». La posición totalmente cerrada (extensión más lenta) se alcanza girando en el sentido de las agujas del reloj o hacia «+». El rebote debe ajustarse en función de la presión de aire que se use para conseguir el sag adecuado.

Compresión: La compresión controla cómo la horquilla o el amortiguador se sienten y reaccionan a los baches o cambios de peso. Los reguladores de compresión son azules y negros para todos los productos Fox y dorados o negros para los productos Marzocchi. La posición totalmente abierta se alcanza girando en sentido antihorario o hacia «-». La posición totalmente cerrada se alcanza girando en el sentido de las agujas del reloj o hacia «+» o «FIRM».

Baja velocidad: El hidráulico a baja velocidad funciona para cargas que dan lugar a bajas velocidades del eje en compresión o extensión. Los cambios en los reguladores a baja velocidad son útiles para controlar el rendimiento durante los cambios de peso del ciclista, los G-outs, el pedaleo y otras acciones lentas.

Alta velocidad: El hidráulico a alta velocidad funciona con cargas que dan lugar a altas velocidades del eje en compresión o extensión. Los cambios en los reguladores a alta velocidad son útiles para controlar el rendimiento durante impactos más grandes, recepciones y baches con bordes cuadrados.

Herramientas:

Para ajustar la suspensión, solo necesitas unas pocas herramientas. Lo más importante es disponer de una bomba de suspensión para bicicletas para ajustar el sag. Los ajustes de amortiguación en las horquillas Fox y Marzocchi, así como en los amortiguadores Fox Float y Float X, no requieren herramientas. En cambio, para ajustar los amortiguadores Fox Float X2 y DHX se necesitan llaves Allen de 2 mm, 3 mm y 6 mm. Para ajustar el sag de los amortiguadores de muelle, se necesita una cinta métrica. Para cambiar el muelle de los amortiguadores de muelle, es necesario desmontar el amortiguador de la bicicleta utilizando las herramientas específicas y un soporte de bicicleta.

Detalles Pivot:

La mayoría de bicicletas Pivot cuentan con nuestro indicador de sag montado en el amortiguador trasero. Esta es una herramienta útil que hemos creado para hacer el ajuste y la comprobación de su sag rápida y fácilmente. Sigue el proceso de sag y alinea la junta tórica de tu amortiguador con el indicador y listo.

Nuestra guía de ajuste puede diferir ligeramente de las directrices de Fox, ya que nuestros ajustes están calibrados en el terreno rocoso del suroeste de Estados Unidos. Ten en cuenta estas recomendaciones como punto de partida. Si montas en terrenos más escarpados, o senderos más suaves, es posible que desees modificar tu configuración. Puedes utilizar la última página de esta guía para registrar tus ajustes y tomar notas para conseguir la configuración perfecta.

En general, sigue siempre este procedimiento para ajustar la suspensión:

1. Ajusta el sag
2. Ajusta el rebote
3. Ajusta la compresión

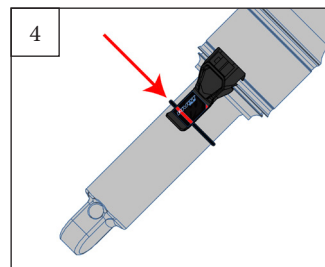
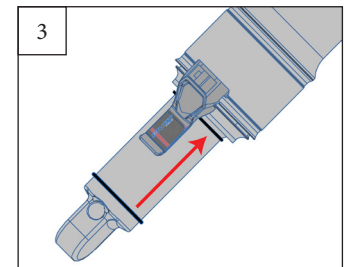
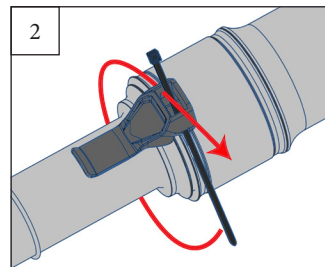
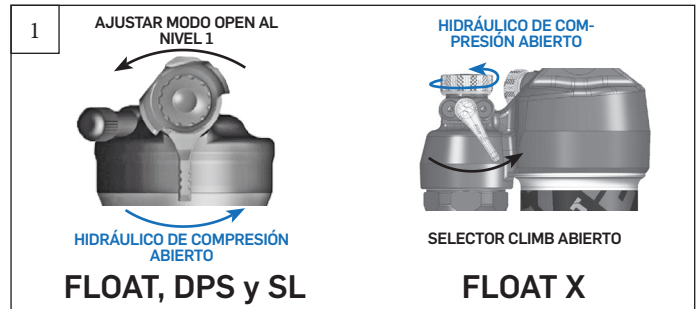
Antes de ajustar el sag, es necesario girar todos los reguladores a la posición totalmente abierta. Cuenta los clics desde la posición de apertura total, porque así no tendrás que volver a girar todos los reguladores a la posición de cierre total. Esto te ahorrará tiempo, que podrás dedicar a montar en bicicleta. Otra razón es que es fácil dañar los ajustes del amortiguador o de la horquilla al girar el regulador hasta el fondo. Se puede sentir como si hubiera un medio clic «extra» que no existe. Esto puede romper los ajustes y requerir mantenimiento o una reparación. Las guías de ajuste de la suspensión Fox siempre cuentan los clics desde cerrado. Hacemos referencia a los clics desde abierto y cerrado en nuestras tablas de ajuste de esta guía.

Consulta www.ridefox.com para más detalles sobre el producto de suspensión de tu bicicleta. La horquilla y el amortiguador tienen un código QR que, al escanearlo, facilita información específica sobre el ajuste, el mantenimiento y los recambios.



Ajustar el sag en amortiguadores de aire

1. Ajuste siempre el sag/hundimiento con la palanca de compresión azul en la posición abierta. (fig. 1)
2. Si su amortiguador tiene ajustes adicionales de compresión y rebote, asegúrese de que estén completamente abiertos, que la compresión esté en el ajuste más suave y que el rebote esté en el ajuste más rápido. Hágalo girándolos completamente en sentido antihorario.
3. Si aún no está instalado, fije el indicador de sag/hundimiento a la parte inferior del cuerpo del amortiguador utilizando la cremallera suministrada y corte cuidadosamente el sobrante (fig. 2)
4. Busque una superficie nivelada y algo para estabilizarse mientras está montado en la bicicleta para poder estar sobre los pedales en posición sentada. Puede ser más fácil que otra persona sujete la bicicleta desde la parte delantera, sujetando el manillar mientras usted está montado en el sillín.
5. Mientras está de pie sobre los pedales, siéntese con fuerza en el sillín para que la suspensión entre en el modo normal de uso en carrera. Esto asegurará que la bicicleta logre su posición natural de sag/hundimiento con el ciclista en el sillín.
6. Sentado sobre el sillín y sin moverse, deslice la junta tórica hasta que quede junto al receptáculo de aire. (fig. 3)
7. Una vez que la junta tórica esté colocada en su sitio, bájese de la bicicleta lentamente para no mover la junta tórica.
8. Ajusta el sag quitando o añadiendo aire de forma que los pasos 4-7 hagan que la junta tórica se alinee con la línea roja del indicador de sag (fig. 4). *No sobrepases la presión de aire máxima indicada en tu amortiguador. Cuando ajustes la presión de aire en el amortiguador, haz girar el amortiguador al menos un 25% en su recorrido antes de volver a comprobar el sag, para que la cámara de aire negativa iguale la presión con la cámara principal cada vez que añadas o quites aire. Para ello, presiona el sillín varias veces para comprimir el amortiguador más allá del punto de sag.
9. Algunos de nuestros modelos cuentan con un indicador de sag con una línea azul (RACE) y una línea roja (TRAIL). Puede ajustar el hundimiento en cualquier punto de este rango para lograr una sensación general más firme o más suave según las preferencias del ciclista.



ADVERTENCIA: Comprueba que el indicador de sag no entra en contacto con el cuadro o la bieleta durante el ciclo de suspensión. De lo contrario, el indicador podría romperse durante la marcha.

Si no hay ningún indicador de sag en el amortiguador, utiliza las medidas enumeradas abajo para determinar el sag. Los diferentes modelos y tallas de bicicletas Pivot utilizan amortiguadores de diferentes longitudes y, por lo tanto, requieren diferentes ajustes de sag.

Indicador A* Sag: 0.74" (18.8mm)*	Indicador B Sag: 0.65" (16.5mm)	Indicador C Sag: 0.49" (12.4mm)	Indicador D Sag: 0.55" (14.0mm)
Bicicleta: <ul style="list-style-type: none"> • Firebird V3-V5* • Firebird 29* • Firebird 27.5* • Mach 5.7 • Mach 5: M-XL • Mach 6 (V1-V5)* • Mach 6 Alloy* • Shuttle LT* 	Bicicleta: <ul style="list-style-type: none"> • Mach 5.5 • Mach 5.7 Carbon • Mach 4: S-XL (2010 y anteriores) • Mach 5: XS-S • Mach 429 Alloy • Switchblade (Todos Modelos) • Shuttle AM • Shuttle SL • Shuttle SL'AM • Shadowcat • Trailcat LT 	Bicicleta: <ul style="list-style-type: none"> • Mach 4: XXS-XS • Mach 4 SL(V1-V2) • Mach 4 SL V3 190x40 	Bicicleta: <ul style="list-style-type: none"> • Mach 4: S-XL (2011 hasta la fecha) • Mach 429 Carbon • Mach 429 SL • Mach 429 Trail • Mach 4 SL V3 190x45 (setting sag to the blue line is recommended) • Trail 429 (V2-V3) • Trailcat SL

*Medida de Sag: 0.76" (19.5 mm); situada entre la línea roja y el final del indicador



Amortiguación de rebote

El ajuste del rebote depende de la presión de aire. Por ejemplo, presiones de aire más altas requieren un ajuste de rebote más lento. Nosotros ajustamos el rebote desde la posición más abierta o más rápida, así que empieza girando el regulador rojo de rebote en el sentido contrario a las agujas del reloj hasta abrirlo del todo. Consulta la tabla de la derecha para ver el ajuste de rebote sugerido en función de la presión de aire que tengas en tu amortiguador para conseguir el sag correcto. Los números en negrita en la tabla se refieren a cuántos clics en el sentido de las agujas del reloj desde el ajuste abierto. *Las guías de ajuste de la suspensión Fox siempre muestran el ajuste del rebote contado desde la posición cerrada, por lo que la tabla también lo incluye entre paréntesis.*

Regulador de rebote



Gíralo en el sentido contrario a las agujas del reloj para una extensión más rápida después de la compresión



Gíralo en el sentido de las agujas del reloj para una extensión más lenta después de la compresión

Ajustes de rebote sugeridos para Float y Float SL

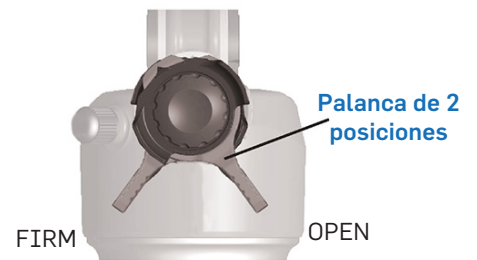
Presión de aire [psi]	Clics desde ABIERTO (Clics desde CERRADO)
<100	ABIERTO
100-120	3 (11)
120-140	4 (10)
140-160	5 (9)
160-180	6 (8)
180-200	7 (7)
200-220	8 (6)
220-240	9 (5)
240-260	10 (4)
260-280	11 (3)
280-300	CERRADO

Amortiguación de compresión

Todas las bicicletas Pivot equipadas con dw-link® pedalean eficientemente, por lo que utilizamos la palanca de compresión como una herramienta de ajuste para el peso del ciclista y el soporte de compresión. Todas las bicicletas pueden funcionar con la palanca azul totalmente abierta y funcionan muy bien.

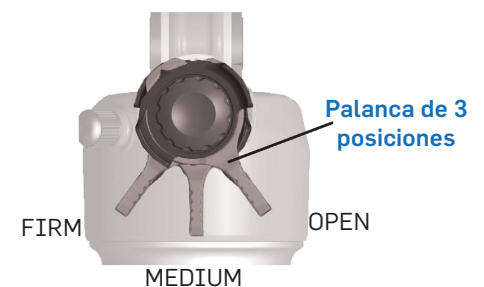
Palanca de 2 posiciones

En los amortiguadores Float hay una palanca de dos posiciones para seleccionar entre Open (abierto) y Firm (firme). El ajuste Firm es ideal para salidas por senderos, largas subidas por pistas de montaña y carreras de XC en las que se desea una mayor sensación de bloqueo.



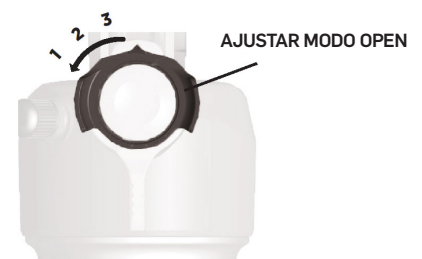
Palanca de 3 posiciones

Los amortiguadores Float DPS y SL cuentan con una palanca de tres posiciones que ofrece los siguientes ajustes: Open, Medium y Firm. Los ciclistas de menos de 72 kg generalmente utilizarán la posición totalmente abierta la mayor parte del tiempo. Los ciclistas de más de 81 kg y los más agresivos a los que les gusta la sensación de más soporte a mitad de recorrido preferirán generalmente la posición intermedia. El ajuste Firm es ideal para salidas por senderos, largas subidas por pistas de montaña y carreras de XC en las que se desea una mayor sensación de bloqueo.



Ajustar Modo Open

Todos los amortiguadores Float Factory Series presentan tres opciones adicionales que afectan al ajuste abierto a través del regulador negro. Este mando se debe levantar ligeramente para girar a una de las tres opciones designadas. #1 es el más abierto, o la menor cantidad de amortiguación de compresión, y #3 es el más firme (pero todavía ligeramente menos firme que la posición media de la palanca azul). Puedes experimentar con todas estas opciones para encontrar el ajuste que proporciona el mejor soporte de compresión y la sensación más suave para tu peso y estilo de conducción. Aparte de funcionar en el modo totalmente firme en descensos rocosos, todos los ajustes están diseñados para funcionar bien en una amplia variedad de terrenos y pesos de ciclista.





Amortiguación de rebote

El ajuste del rebote depende de la presión de aire. Por ejemplo, presiones de aire más altas requieren un ajuste de rebote más lento. Nosotros ajustamos el rebote desde la posición más abierta o más rápida, así que empieza girando el regulador rojo de rebote en el sentido contrario a las agujas del reloj hasta abrirlo del todo. Consulta la tabla de la derecha para ver el ajuste de rebote sugerido en función de la presión de aire que tengas en tu amortiguador para conseguir el sag correcto. Los números en negrita en la tabla se refieren a cuántos clics en el sentido de las agujas del reloj desde el ajuste abierto. *Las guías de ajuste de la suspensión Fox siempre muestran el ajuste del rebote contado desde la posición cerrada, por lo que la tabla también lo incluye entre paréntesis.*

Ajustes de rebote sugeridos para Float X	
Presión de aire [psi]	Clics desde ABIERTO (Clics desde CERRADO)
<120	3 (9)
120-140	4 (8)
140-160	5 (7)
160-180	6 (6)
180-200	7 (5)
200-220	8 (4)
220-240	9 (3)
240-260	10 (2)
260-280	11 (1)
280-300	CERRADO



Regulador de rebote



Gíralo en el sentido contrario a las agujas del reloj para una extensión más rápida después de la compresión



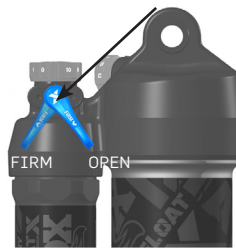
Gíralo en el sentido de las agujas del reloj para una extensión más lenta después de la compresión

Amortiguación de compresión

Planca de 2 posiciones

Los amortiguadores Float X incorporan una palanca de dos posiciones que permite el ajuste sobre la marcha entre totalmente los modos Open y Firm para escalar. Para la mayoría de las condiciones de conducción es mejor tener la palanca abierta. Al igual que con los otros amortiguadores, el ajuste Firm es el más adecuado para largas subidas por caminos de fuego y recorridos suaves de XC.

PLANCA DE 2 POSICIONES



Ajustes de compresión sugeridos para Float X	
Peso del ciclista	Clics desde ABIERTO (Clics desde CERRADO)
<120 [lbs] <54 [kg]	ABIERTO
140-150 [lbs] 63-68 [kg]	1 (9)
150-160 [lbs] 68-72 [kg]	2 (8)
160-170 [lbs] 72-77 [kg]	3 (7)
170-180 [lbs] 77-81 [kg]	4 (6)
180-190 [lbs] 81-86 [kg]	5 (5)
190-200 [lbs] 86-90 [kg]	6 (4)
200-210 [lbs] 90-95 [kg]	7 (3)
210-220 [lbs] 95-100 [kg]	8 (2)
220-230 [lbs] 100-104 [kg]	9 (1)
>230 [lbs] >104 [kg]	CERRADO

REGULADOR DE COMPRESIÓN A BAJA VELOCIDAD



Gíralo en sentido antihorario para abrir



Gíralo en sentido horario para cerrar

Regulador de compresión a baja velocidad

El Float X Factory Series incorpora un mando azul de ajuste de la compresión a baja velocidad, que se puede utilizar para afinar el modo Open de la amortiguación de compresión. Este mando ofrece 10 configuraciones adicionales de ajuste fino para el modo Open. Girando el mando en el sentido de las agujas del reloj aumentará la amortiguación de compresión a baja velocidad. Girando el mando en sentido antihorario disminuirá la amortiguación de compresión a baja velocidad. Puedes experimentar con todas estas opciones para encontrar el ajuste que proporcione el mejor soporte de compresión y la sensación más suave para tu peso y estilo de conducción.



Ajustar el sag en el amortiguador Fox Float X2

Empieza ajustando el sag usando el mismo proceso que en los amortiguadores de la página 2. En el amortiguador Float X2 no hay indicador de sag. Usa las medidas listadas abajo para determinar el sag. Los diversos modelos y tallas de bicicletas Pivot utilizan amortiguadores de longitud diferente y, por lo tanto, requieren diferentes ajustes de sag. Para los modelos de bicicleta que no aparecen aquí, consulta las medidas de sag en la página 2. Los modelos de bicicleta para cada ajuste de sag se enumeran bajo los diagramas respectivos. Aunque el X2 no tiene indicador de sag para referencia, el sag de la Phoenix es correcto cuando la junta tórica está alineada con el final del depósito; en los modelos Firebird y Mach 6 el sag es correcto cuando la junta tórica está alineada con la parte inferior del depósito. Ambos están representados en los diagramas de abajo.



205x65
Mach 6
Firebird



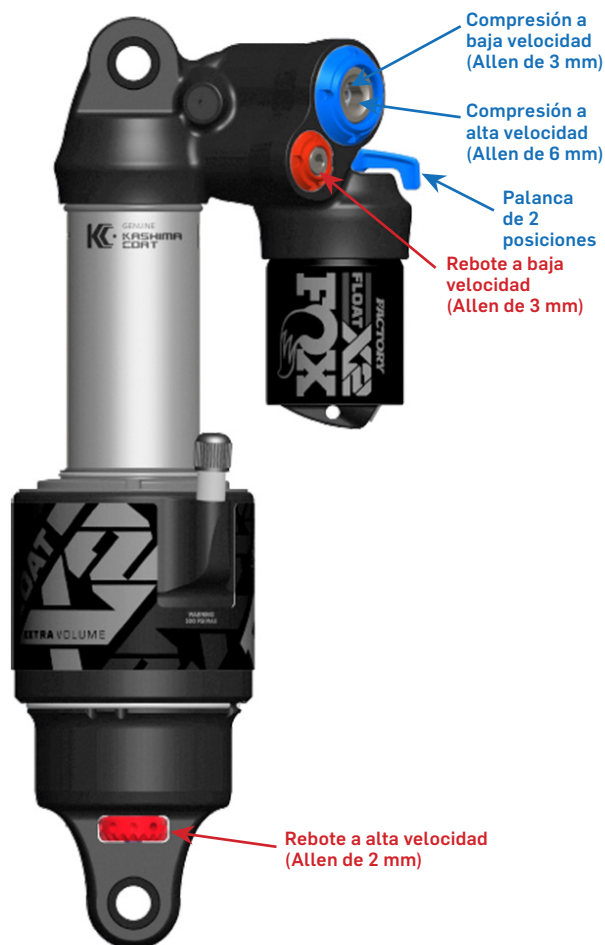
225x75
Phoenix

Ajustes de hidráulico en el Fox Float X2

El amortiguador X2 de aire tiene opciones de ajuste mucho más allá del alcance de lo que podemos cubrir aquí. No solo se puede ajustar el amortiguador mediante el uso de los reguladores HSC, LSC, HSR y LSR, sino que también se puede ajustar mediante la cantidad de presión de aire en el amortiguador y añadiendo o quitando espaciadores de volumen de aire para cambiar las características de la curva de amortiguación. Hemos establecido una curva de amortiguación de aire que se ha comprobado que está optimizada para una amplia gama de ciclistas, desde un nivel deportivo hasta nuestro equipo de DH de la Copa del Mundo, por lo que cambiar las características de la curva de amortiguación de aire de fábrica de Pivot no es realmente necesario.

Recomendamos un 30% de sag en el Float X2 de aire. A partir de este ajuste de sag, puedes registrar la presión de aire y utilizar la tabla de ajuste de Fox de la página siguiente para ajustar la compresión a alta velocidad (HSC), la compresión a baja velocidad (LSC), el rebote a alta velocidad (HSR) y el rebote a baja velocidad (LSR). Estos ajustes también son aplicables a los amortiguadores Float X2 Performance Series de aire que solo disponen de los ajustes LSC y LSR. Los números de la tabla se refieren a cuántos clics en el sentido de las agujas del reloj desde el ajuste abierto deben ajustarse los reguladores. Fox ajusta los amortiguadores desde la posición cerrada, por lo que se ha indicado entre paréntesis.

El diagrama de la derecha muestra la ubicación de cada mando de ajuste en el amortiguador X2.





En general, utilizamos los ajustes de rebote en el extremo más lento de la gama proporcionada en cada presión y los ajustes de compresión en el extremo más ligero de la gama proporcionada. Por ejemplo, si el amortiguador tiene una presión de 200 psi, el rango de LSR es de 6-8 clics desde la posición abierta. Recomendamos empezar en 8. Para HSR el rango es de 4-5 clics desde la apertura; recomendamos empezar en 5. En el lado de compresión para LSC, a 200 psi en el amortiguador, el rango es de 1-2 clics desde la apertura; recomendamos empezar en 1 clic. Para HSC, el rango es de 1-2 clics desde la apertura; recomendamos empezar en 1. Si sigues este mismo proceso para la presión que estás utilizando, tendrás un ajuste excelente que no requerirá más correcciones. Los números en negrita en la tabla hacen referencia a cuántos clics en el sentido de las agujas del reloj desde el ajuste abierto deben ajustarse los diales. *Fox ajusta los amortiguadores desde la posición cerrada, por lo que se ha proporcionado en entre paréntesis.*

Para más información, Fox ofrece una guía completa de ajustes para el amortiguador Float X2 Air en su sitio web: www.ridefox.com

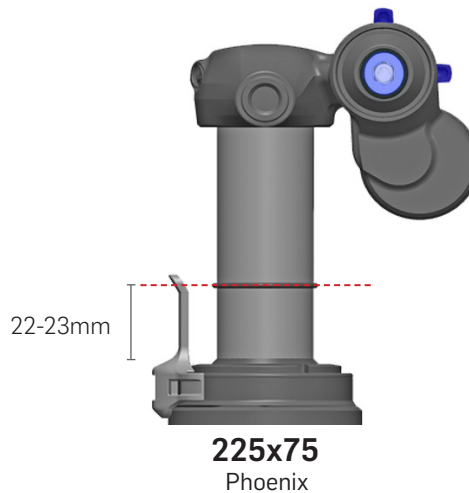
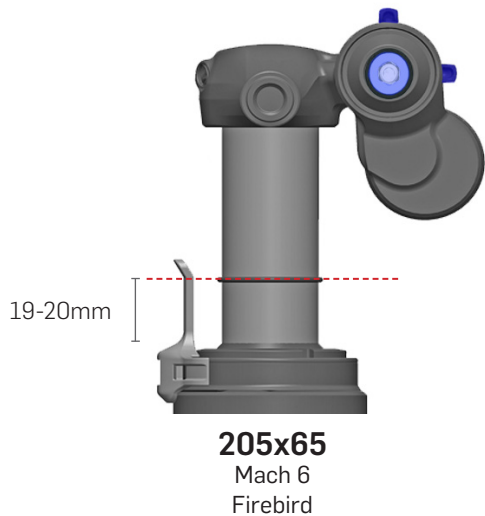
Tabla de ajustes de rebote y compresión para el Fox Float X2

AJUSTES DE REBOTE SUGERIDOS PARA EL FOX FLOAT X2				
Presión de aire [psi]	LSR (3mm hex)	HSR (2mm hex)	LSC (3mm hex)	HSC (6mm hex)
	Clics desde ABIERTO (Clics desde CERRADO)			
90	ABIERTO-2 (14-16)	ABIERTO-1 (7-8)	ABIERTO (16)	ABIERTO-1 (7-8)
100	ABIERTO-2 (14-16)	ABIERTO-1 (7-8)	ABIERTO (16)	ABIERTO-1 (7-8)
110	1-3 (13-15)	1-2 (6-7)	ABIERTO-1 (16)	ABIERTO-1 (7-8)
120	1-3 (13-15)	1-2 (6-7)	ABIERTO-1 (16)	ABIERTO-1 (7-8)
130	2-4 (12-14)	2-3 (5-6)	ABIERTO-1 (16)	ABIERTO-1 (7-8)
140	3-5 (11-13)	2-3 (5-6)	ABIERTO-1 (16)	ABIERTO-1 (7-8)
150	4-6 (10-12)	2-3 (5-6)	ABIERTO-1 (16)	ABIERTO-1 (7-8)
160	4-6 (10-12)	3-4 (4-5)	ABIERTO-1 (16)	ABIERTO-1 (7-8)
170	5-7 (9-11)	3-4 (4-5)	1-2 (14-15)	1-2 (6-7)
180	5-7 (9-11)	3-4 (4-5)	1-2 (14-15)	1-2 (6-7)
190	6-8 (8-10)	4-5 (3-4)	1-2 (14-15)	1-2 (6-7)
200	6-8 (8-10)	4-5 (3-4)	1-2 (14-15)	1-2 (6-7)
210	7-9 (7-9)	4-5 (3-4)	1-2 (14-15)	1-2 (6-7)
220	7-9 (7-9)	4-5 (3-4)	1-2 (14-15)	1-2 (6-7)
230	8-10 (6-8)	4-5 (3-4)	1-2 (14-15)	1-2 (6-7)
240	8-10 (6-8)	5-6 (2-3)	2-3 (13-14)	2-3 (6-5)
250	9-11 (5-7)	5-6 (2-3)	2-3 (13-14)	2-3 (6-5)
260	10-12 (4-6)	6-7 (1-2)	2-3 (13-14)	2-3 (6-5)
270	11-13 (3-5)	6-7 (1-2)	2-3 (13-14)	2-3 (6-5)
280	12-14 (2-4)	6-7 (1-2)	3-4 (12-13)	3-4 (4-5)
290	13-15 (1-2)	7-8 (0-1)	3-4 (12-13)	3-4 (4-5)
300	14-16 (0-2)	7-8 (0-1)	4-5 (11-12)	4-5 (3-4)



Ajustar el sag en el amortiguador Fox Float X2 2026

Comience ajustando el sag siguiendo el mismo proceso que para los amortiguadores de la página 2. Para la Firebird y la Mach 6, alinee la junta tórica con la línea roja del indicador de sag. Para la Phoenix, alinee la junta tórica entre la línea roja y el extremo del indicador. Si no tiene un indicador de sag, puede usar las medidas que se indican a continuación para determinar el sag. Los diferentes modelos y tamaños de bicicletas Pivot utilizan amortiguadores de diferente longitud y, por lo tanto, requieren diferentes ajustes de sag. Para modelos de bicicleta que no se muestran aquí, consulte las medidas de sag que se encuentran en la página 2.



Ajustes de hidráulico en el Fox Float X2 2026

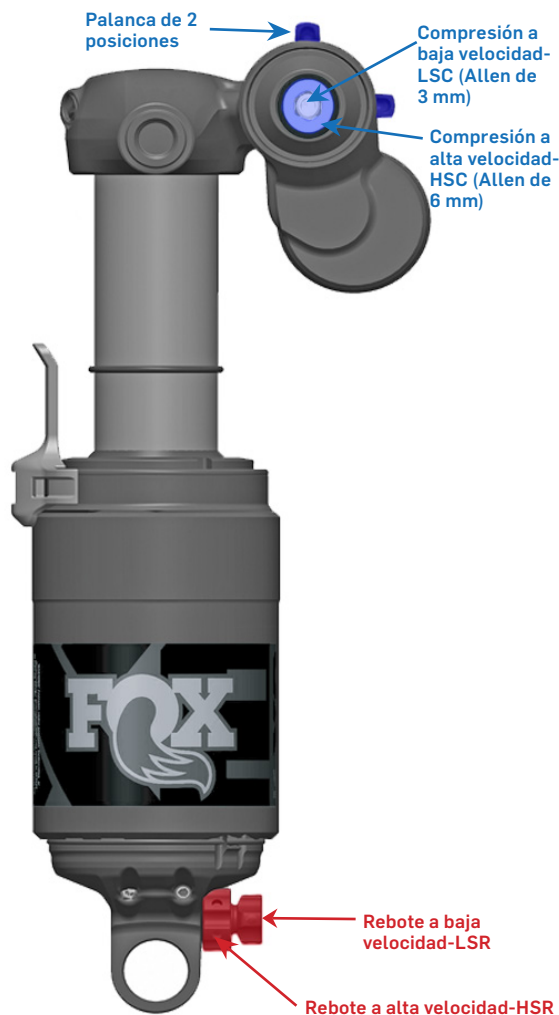
El amortiguador X2 de aire tiene opciones de ajuste mucho más allá del alcance de lo que podemos cubrir aquí. No solo se puede ajustar el amortiguador mediante el uso de los reguladores HSC, LSC, HSR y LSR, sino que también se puede ajustar mediante la cantidad de presión de aire en el amortiguador y añadiendo o quitando espaciadores de volumen de aire para cambiar las características de la curva de amortiguación. Hemos establecido una curva de amortiguación de aire que se ha comprobado que está optimizada para una amplia gama de ciclistas, desde un nivel deportivo hasta nuestro equipo de DH de la Copa del Mundo, por lo que cambiar las características de la curva de amortiguación de aire de fábrica de Pivot no es realmente necesario.

Recomendamos un 30% de sag en el Float X2 de aire. A partir de este ajuste de sag, puedes registrar la presión de aire y utilizar la tabla de ajuste de Fox de la página siguiente para ajustar la compresión a alta velocidad (HSC), la compresión a baja velocidad (LSC), el rebote a alta velocidad (HSR) y el rebote a baja velocidad (LSR). Estos ajustes también son aplicables a los amortiguadores Float X2 Performance Series de aire que solo disponen de los ajustes LSC y LSR. Los números de la tabla se refieren a cuántos clics en el sentido de las agujas del reloj desde el ajuste abierto deben ajustarse los reguladores. Fox ajusta los amortiguadores desde la posición cerrada, por lo que se ha indicado entre paréntesis.

El diagrama de la derecha muestra la ubicación de cada mando de ajuste en el amortiguador X2.

Palanca de 2 posiciones

Los amortiguadores Float X2 incorporan una palanca de dos posiciones que permite el ajuste sobre la marcha entre totalmente los modos Open y Firm para escalar. Para la mayoría de las condiciones de conducción es mejor tener la palanca abierta. Al igual que con los otros amortiguadores, el ajuste Firm es el más adecuado para largas subidas por caminos de fuego y recorridos suaves de XC.





En general, utilizamos los ajustes de rebote en el extremo más lento de la gama proporcionada en cada presión y los ajustes de compresión en el extremo más ligero de la gama proporcionada. Por ejemplo, si el amortiguador tiene una presión de 210 psi, el rango de LSR es de 7-9 clics desde la posición abierta. Recomendamos empezar en 9. Para HSR el rango es de 4-5 clics desde la apertura; recomendamos empezar en 5. En el lado de compresión para LSC, a 210 psi en el amortiguador, el rango es de 6-7 clics desde la apertura; recomendamos empezar en 6 clics. Para HSC, el rango es de 3-4 clics desde la apertura; recomendamos empezar en 3. Si sigues este mismo proceso para la presión que estás utilizando, tendrás un ajuste excelente que no requerirá más correcciones. Los números en negrita en la tabla hacen referencia a cuántos clics en el sentido de las agujas del reloj desde el ajuste abierto deben ajustarse los diales. *Fox ajusta los amortiguadores desde la posición cerrada, por lo que se ha proporcionado en entre paréntesis.*

Para más información, Fox ofrece una guía completa de ajustes para el amortiguador Float X2 Air en su sitio web: www.ridefox.com

Tabla de ajustes de rebote y compresión para el Fox Float X2 2026

AJUSTES DE REBOTE SUGERIDOS PARA EL 2026 FOX FLOAT X2				
Presión de aire [psi/bar]	LSR	HSR	LSC (3mm hex)	HSC (6mm hex)
	Clics desde ABIERTO (Clics desde CERRADO)			
<100 psi <6.9 bar	ABIERTO-2 (14-16)	ABIERTO-1 (7-8)	ABIERTO-2 (14-16)	ABIERTO-1 (7-8)
100-120 psi 6.9-8.3 bar	1-3 (13-15)	1-2 (6-7)	3-5 (11-13)	ABIERTO-1 (7-8)
120-140 psi 8.3-9.7 bar	2-4 (12-14)	2-3 (5-6)	3-5 (11-13)	1-2 (6-7)
140-160 psi 9.7-11 bar	3-5 (11-13)	2-3 (5-6)	6-7 (9-10)	1-2 (6-7)
160-180 psi 11-12.4 bar	5-7 (9-11)	3-4 (4-5)	6-7 (9-10)	2-3 (5-6)
180-200 psi 12.4-13.8 bar	7-9 (7-9)	3-4 (4-5)	6-7 (9-10)	2-3 (5-6)
200-220 psi 13.8-15.2 bar	8-10 (6-8)	4-5 (3-4)	6-7 (9-10)	3-4 (4-5)
220-240 psi 15.2-16.5 bar	9-11 (5-7)	4-5 (3-4)	6-7 (9-10)	3-4 (4-5)
240-260 psi 16.5-17.9 bar	10-12 (4-6)	4-5 (3-4)	8-9 (7-8)	5-6 (4-5)
260-280 psi 17.9-19.3 bar	11-13 (3-5)	5-6 (2-3)	8-9 (7-8)	5-6 (2-3)
280-300 psi 19.3-20.7 bar	12-14 (2-4)	5-6 (2-3)	8-9 (7-8)	5-6 (2-3)
300-320 psi 20.7- 22.1 bar	13-15 (1-3)	6-7 (1-2)	8-9 (7-8)	5-6 (2-3)

5. Amortiguadores de muelle



Ajustar el sag en amortiguadores de muelle

Para ajustar el sag en un amortiguador de muelle necesitarás tener un amigo y una cinta métrica con milímetros. Tendrás que medir la distancia de ojo a ojo en tu bicicleta. Esta es la distancia entre los dos pernos de montaje del amortiguador. En la Mach 6 y la Firebird esta distancia es de 205 mm. La cantidad correcta de sag para la Mach 6 y la Firebird es de 19-20 mm. Cuando estés sentado en la bicicleta con todo tu peso después de completar los pasos para el ajuste del sag, la distancia de perno a perno del amortiguador debe medir 186-185 mm.

1. Ajusta siempre el sag con la palanca de compresión azul en posición Open.
2. Si el amortiguador tiene ajustes adicionales de compresión y rebote, comprueba que estén ajustados para estar completamente abiertos, la compresión en el ajuste más suave y el rebote en su ajuste más rápido.
3. Después de instalar el muelle, ajusta el regulador de precarga hasta que entre en contacto con el muelle aplicando una pequeña cantidad de tensión. En amortiguadores Fox esto debe ser alrededor de 8 clics del regulador de precarga.
- 4.
5. Busca una superficie nivelada y algo para estabilizarte mientras montas en la bicicleta para que puedas estar sentado sobre los pedales. Quizás sea más fácil que un compañero sujete la bicicleta desde la parte delantera por el manillar mientras tú adoptas la postura de conducción.
6. Mientras estás de pie sobre los pedales, siéntate con fuerza en el sillín para activar la suspensión bien en el recorrido. Esto asegurará que la bicicleta se detenga en la posición natural de sag con el ciclista sobre el sillín.
7. Mientras estás sobre el sillín y no muevas ni quites peso al amortiguador, pídele a tu amigo que mida la distancia de ojo a ojo. Para obtener el valor del sag, resta este número de la distancia inicial de ojo a ojo.
8. Si el sag medido es menor que el recomendado de 19-20 mm, tendrás que cambiar el muelle por uno de menor dureza.
9. Si el sag es superior a los 19-20 mm recomendados, puedes girar el regulador de precarga del muelle hasta 26 clics desde el punto en que acaba de entrar en contacto con el muelle. Si no puedes alcanzar el sag recomendado con 26 clics, necesitarás cambiar el muelle por uno de mayor dureza.
10. Una vez conseguido el sag adecuado, sigue los ajustes de compresión y rebote recomendados en la página 9 para completar el ajuste de la suspensión.



*Consulta el manual del amortiguador para conocer los procedimientos de instalación y extracción de los muelles.

FIREBIRD & MACH 6

A continuación, se indican los muelles recomendados según el peso del ciclista, así como el recorrido y la longitud necesarios para los amortiguadores Fox y Marzocchi (205x65) utilizados en la Mach 6 y la Firebird. Algunos ciclistas podrían necesitar un resorte más ligero o más pesado para lograr el sag recomendado del 30 %. NOTA: La longitud del muelle y su carrera pueden cambiar en función de los diferentes tipos de muelle. Consulta la página de información de muelles Fox en su sitio web para confirmar el tamaño correcto y el número de pieza: [Fox Spring Information](#)

MUELLE	LONGITUD	CARRERA DE MUELLE	I.D.	PESO DEL CICLISTA
350 lb.	5.24"	2.9"	1.385"	< 130lb.(59kg)
400 lb.	5.14"	2.65"	1.385"	130lb.(59kg) – 150lb.(68kg)
450 lb.	5.11"	2.65"	1.385"	150lb.(68kg) – 170lb.(77kg)
500 lb.	5.32"	2.65"	1.385"	170lb.(77kg) – 190lb.(86kg)
550 lb.	5.38"	2.65"	1.385"	190lb.(86kg) – 210lb. (95kg)
600 lb.	5.47"	2.65"	1.385"	210lb. (95kg) – 230lb. (104kg)
650 lb.	5.6"	2.65"	1.385"	> 230lb. (104kg)



PHOENIX

A continuación, se indican los muelles recomendados según el peso del ciclista, así como el recorrido y la longitud necesarios para los amortiguadores Fox y Marzocchi (225x75) utilizados en la Phoenix. Algunos ciclistas podrían necesitar un resorte más ligero o más pesado para lograr el sag recomendado del 30 %. NOTA: La longitud del muelle y su carrera pueden cambiar en función de los diferentes tipos de muelle. Consulta la página de información de muelles Fox en su sitio web para confirmar el tamaño correcto y el número de pieza: [Fox Spring Information](http://FoxSpringInformation)

MUELLE	LONGITUD	CARRERA DE MUELLE	I.D.	PESO DEL CICLISTA
350 lb.	6.69"	3.25"	1.385"	< 130lb.(59kg)
400 lb.	6.63"	3.25"	1.385"	130lb.(59kg) – 150lb.(68kg)
450 lb.	6.76"	3.25"	1.385"	150lb.(68kg) – 170lb.(77kg)
500 lb.	6.91"	3.25"	1.385"	170lb.(77kg) – 190lb.(86kg)
550 lb.	6.93"	3.25"	1.385"	190lb.(86kg) – 210lb. (95kg)
600 lb.	7.11"	3.25"	1.385"	210lb. (95kg) – 230lb. (104kg)
650 lb.	6.81"	3.25"	1.385"	> 230lb. (104kg)

Flip-Chip de progresividad

Las Firebird y Phoenix incorporan un flip-chip de progresividad en el soporte inferior del amortiguador. Esto permite ajustar la curva del muelle de la bicicleta según las preferencias de conducción. El chip de progresividad tiene dos posiciones. Para cambiar la configuración, afloje el tornillo inferior del amortiguador hasta que pueda retirar el chip del lado opuesto a la transmisión. A continuación, retire también el chip del lado de la transmisión. Gire ambos chips 180 grados y vuelva a insertarlos en el cuadro. Apriete el tornillo del amortiguador a 13 Nm. Encontrará una guía paso a paso de este proceso en nuestro sitio web para los modelos con esta función.

Se recomienda la configuración progresiva para amortiguadores de muelle. La configuración más progresiva es con el tornillo inferior del amortiguador en la posición trasera. Esta configuración proporciona mayor aceleración y soporte al final del recorrido. Si prefiere una sensación más consistente en todo el recorrido y una conducción más flexible, puede optar por la posición lineal. La configuración más lineal es con el chip invertido, de modo que el tornillo del amortiguador esté en la posición delantera.



Progresiva



Lineal

Ajustes de hidráulico en el amortiguador Fox DHX2 Coil



El amortiguador DHX2 tiene opciones de ajuste que van mucho más allá de lo que podemos cubrir aquí. No solo se puede ajustar el amortiguador mediante el uso de los mandos HSC, LSC, HSR y LSR, sino que también puede funcionar con diferentes tipos de muelles.

Recomendamos un sag del 30% en el DHX2. En función de la dureza del muelle para conseguir el sag adecuado, consulta la siguiente tabla de ajuste de Fox para configurar la compresión a alta velocidad (HSC), la compresión a baja velocidad (LSC), el rebote a alta velocidad (HSR) y el rebote a baja velocidad (LSR). Los números en negrita en la tabla hacen referencia a cuántos clics en el sentido de las agujas del reloj desde el ajuste abierto deben ajustarse los diales. Fox ajusta los amortiguadores desde la posición cerrada, por lo que se ha indicado entre paréntesis.

El diagrama a la derecha de la tabla muestra las localizaciones de cada mando de ajuste en el amortiguador DHX2.

Para más información, Fox proporciona una guía de ajuste completa para el amortiguador Float X2 Air en su sitio web www.ridefox.com

Tabla de ajustes de rebote y compresión para el Fox DHX2

AJUSTES DE REBOTE SUGERIDOS PARA EL FOX FLOAT DHX2				
Dureza del muelle	LSR (3mm hex)	HSR (2mm hex)	LSC (3mm hex)	HSC (6mm hex)
	Clics desde ABIERTO (Clics desde CERRADO)			
200	ABIERTO-2 (14-16)	ABIERTO-1 (7-8)	ABIERTO (16)	ABIERTO-1 (7-8)
225	1-3 (13-15)	1-2 (6-7)	ABIERTO-1 (16)	ABIERTO-1 (7-8)
250	1-3 (13-15)	1-2 (6-7)	ABIERTO-1 (16)	ABIERTO-1 (7-8)
275	2-4 (12-14)	2-3 (5-6)	ABIERTO-1 (16)	ABIERTO-1 (7-8)
300	3-5 (11-13)	2-3 (5-6)	ABIERTO-1 (16)	ABIERTO-1 (7-8)
325	4-6 (10-12)	2-3 (5-6)	ABIERTO-1 (16)	ABIERTO-1 (7-8)
350	4-6 (10-12)	3-4 (4-5)	ABIERTO-1 (16)	ABIERTO-1 (7-8)
375	5-7 (9-11)	3-4 (4-5)	1-2 (14-15)	1-2 (6-7)
400	5-7 (9-11)	3-4 (4-5)	1-2 (14-15)	1-2 (6-7)
425	6-8 (8-10)	4-5 (3-4)	1-2 (14-15)	1-2 (6-7)
450	6-8 (8-10)	4-5 (3-4)	1-2 (14-15)	1-2 (6-7)
475	7-9 (7-9)	4-5 (3-4)	1-2 (14-15)	1-2 (6-7)
500	7-9 (7-9)	4-5 (3-4)	1-2 (14-15)	1-2 (6-7)
525	8-10 (6-8)	4-5 (3-4)	1-2 (14-15)	1-2 (6-7)
550	8-10 (6-8)	5-6 (2-3)	2-3 (13-14)	2-3 (6-5)
575	9-11 (5-7)	5-6 (2-3)	2-3 (13-14)	2-3 (6-5)
600	10-12 (4-6)	6-7 (1-2)	2-3 (13-14)	2-3 (6-5)
625	11-13 (3-5)	6-7 (1-2)	2-3 (13-14)	2-3 (6-5)
650	12-14 (2-4)	6-7 (1-2)	3-4 (12-13)	3-4 (4-5)
675	13-15 (1-2)	7-8 (0-1)	3-4 (12-13)	3-4 (4-5)
700	14-16 (0-2)	7-8 (0-1)	4-5 (11-12)	4-5 (3-4)
725	14-16 (0-2)	7-8 (0-1)	4-5 (11-12))	4-5 (3-4))



6. Horquilla Fox Float Air



Ajuste del sag en la horquilla Fox Float Air

El sag apropiado para la horquilla es el 15-20% del recorrido completo de la horquilla. El sag de la horquilla es similar al sag del amortiguador y se basa en el peso del ciclista en la posición neutra de conducción. Para comprobar el sag, sigue los mismos procedimientos que para el sag del amortiguador. Mientras estás montado en la bicicleta, desliza la junta tórica hasta el guardapolvo y bájate suavemente de la bicicleta. La distancia desde la junta tórica hasta el guardapolvo se puede dividir por el recorrido de la horquilla para obtener el porcentaje de sag.

La siguiente tabla muestra el punto de partida recomendado por Pivot para que la presión de aire de la horquilla alcance el sag adecuado. A través de las pruebas de Pivot, hemos encontrado que, para muchos ciclistas, la presión recomendada por Fox es más alta y limita la capacidad de alcanzar el recorrido completo de la horquilla. Es posible que tengas que bajar la presión si no se alcanza el recorrido completo. En general, encontramos que los ciclistas utilizan 2-3 ajustes de presión por debajo de la presión de aire recomendada para su peso por las tablas de Fox. Puedes consultar las tablas de Fox en www.ridefox.com.

Por ejemplo, según las tablas de Fox, un ciclista de 90 kg con una Fox Float 36 debería utilizar una presión de entre 94 y 99 psi en su horquilla. Nuestra recomendación para la mayoría de los ciclistas de este peso es utilizar entre 86 y 89 psi. En comparación con las tablas de Fox, hemos desplazado nuestra recomendación dos o tres filas hacia arriba en la tabla. Esto significa menos presión de aire para una conducción más suave y equilibrada.

Una vez establecida la presión de aire, sigue el ajuste de amortiguación correspondiente a tu modelo de horquilla.

**No superes la presión de aire máxima para tu horquilla indicada por el fabricante de la misma.*

PESO DEL CICLISTA	32 SC FLOAT	34 FLOAT	34 SC FLOAT	36 FLOAT	38 FLOAT	Fox Podium	40 FLOAT
120-130 [lbs] 54-59 [kg]	57 [psi] 3.9 [bar]	56 [psi] 3.8 [bar]	57 [psi] 3.9 [bar]	58 [psi] 4 [bar]	62 [psi] 4.3 [bar]	52 [psi] 3.6 [bar]	46 [psi] 3.1 [bar]
130-140 [lbs] 59-63 [kg]	61 [psi] 4.2 [bar]	60 [psi] 4.1 [bar]	61 [psi] 4.2 [bar]	62 [psi] 4.3 [bar]	68 [psi] 4.7 [bar]	57 [psi] 3.9 [bar]	48 [psi] 3.3 [bar]
140-150 [lbs] 63-68 [kg]	65 [psi] 4.5 [bar]	64 [psi] 4.4 [bar]	65 [psi] 4.5 [bar]	66 [psi] 4.6 [bar]	72 [psi] 5.0 [bar]	61 [psi] 4.2 [bar]	52 [psi] 3.6 [bar]
150-160 [lbs] 68-72 [kg]	70 [psi] 4.8 [bar]	69 [psi] 4.8 [bar]	70 [psi] 4.8 [bar]	70 [psi] 4.8 [bar]	76 [psi] 5.2 [bar]	65 [psi] 4.5 [bar]	58 [psi] 4.0 [bar]
160-170 [lbs] 72-77 [kg]	74 [psi] 5.1 [bar]	74 [psi] 5.1 [bar]	74 [psi] 5.1 [bar]	74 [psi] 5.1 [bar]	80 [psi] 5.5 [bar]	70 [psi] 4.8 [bar]	64 [psi] 4.4 [bar]
170-180 [lbs] 77-81 [kg]	80 [psi] 5.5 [bar]	78 [psi] 5.4 [bar]	80 [psi] 5.5 [bar]	78 [psi] 5.4 [bar]	84 [psi] 5.8 [bar]	74 [psi] 5.1 [bar]	68 [psi] 4.7 [bar]
180-190 [lbs] 81-86 [kg]	85 [psi] 5.9 [bar]	83 [psi] 5.7 [bar]	85 [psi] 5.9 [bar]	82 [psi] 5.7 [bar]	89 [psi] 6.1 [bar]	80 [psi] 5.5 [bar]	72 [psi] 5.0 [bar]
190-200 [lbs] 86-90 [kg]	90 [psi] 6.2 [bar]	88 [psi] 6.1 [bar]	90 [psi] 6.2 [bar]	86 [psi] 5.9 [bar]	93 [psi] 6.4 [bar]	85 [psi] 5.9 [bar]	76 [psi] 5.2 [bar]
200-210 [lbs] 90-95 [kg]	96 [psi] 6.6 [bar]	92 [psi] 6.3 [bar]	96 [psi] 6.6 [bar]	89 [psi] 6.1 [bar]	97 [psi] 6.7 [bar]	90 [psi] 6.2 [bar]	80 [psi] 5.5 [bar]
210-220 [lbs] 95-100 [kg]	101 [psi] 7.0 [bar]	97 [psi] 6.7 [bar]	101 [psi] 7.0 [bar]	94 [psi] 6.5 [bar]	102 [psi] 7.0 [bar]	96 [psi] 6.6 [bar]	84 [psi] 5.8 [bar]
220-230 [lbs] 100-104 [kg]	106 [psi] 7.3 [bar]	102 [psi] 7.0 [bar]	106 [psi] 7.3 [bar]	99 [psi] 6.8 [bar]	106 [psi] 7.3 [bar]	101 [psi] 7.0 [bar]	87 [psi] 6.0 [bar]
230-240 [lbs] 104-109 [kg]	111 [psi] 7.7 [bar]	106 [psi] 7.3 [bar]	111 [psi] 7.7 [bar]	105 [psi] 7.2 [bar]	110 [psi] 7.6 [bar]	106 [psi] 7.3 [bar]	90 [psi] 6.2 [bar]
240-250 [lbs] 109-113 [kg]	117 [psi] 8.1 [bar]	111 [psi] 7.7 [bar]	117 [psi] 8.1 [bar]	109 [psi] 7.5 [bar]	114 [psi] 7.9 [bar]	110 [psi] 7.6 [bar]	94 [psi] / 6.5 [bar]

** Estas presiones difieren de las mencionadas en los manuales de Fox.*





Amortiguación de rebote

El ajuste del rebote depende de la presión de aire. Por ejemplo, las presiones de aire más altas requieren un ajuste de rebote más lento. Este ajuste es un dial rojo que se encuentra en la parte inferior de la pata de la horquilla del lado de la transmisión. Ajustamos el rebote desde la posición más abierta o más rápida. Consulta la tabla para ver el ajuste de rebote sugerido. Los números en negrita en la tabla se refieren a cuántos clics en el sentido de las agujas del reloj desde la posición abierta. Fox establece el rebote desde la posición cerrada, por lo que se ha proporcionado entre paréntesis.



Regulador de rebote



Gíralo en el sentido contrario a las agujas del reloj para una extensión más rápida después de la compresión



Gíralo en el sentido de las agujas del reloj para una extensión más lenta después de la compresión

Ajustes de rebote sugeridos para el FIT4

Presión de aire de la horquilla	32 SC*/34/34SC*	32/36
	*Modelos Step Cast	
	Clics desde ABIERTO (Clics desde CERRADO)	
≤65 psi	2 (12)	ABIERTO (14)
65-70 psi	3 (11)	1 (13)
70-74 psi	4 (10)	2 (12)
74-80 psi	4 (10)	3 (11)
80-85 psi	5 (9)	5 (9)
85-90 psi	6 (8)	6 (8)
90-96 psi	6 (8)	7 (7)
96-100 psi	7 (7)	8 (6)
100-103 psi	8 (6)	9 (5)
103-106 psi	10 (4)	10 (4)
106-109 psi	11 (3)	11 (3)
109-112 psi	12 (2)	12 (2)
112-115 psi	13 (1)	13 (1)

Amortiguación de compresión

El cartucho FIT4 incorpora una palanca azul para ajustar la compresión en 3 posiciones. Estos ajustes son open (abierto), medium (medio) y firm (firme). El dial negro interior ajusta la compresión a baja velocidad que afecta a la firmeza de la suspensión (amortiguación de compresión) en la posición totalmente abierta. Ajustamos la compresión desde la posición más abierta o más rápida, así que empieza girando el dial negro interior de compresión en sentido contrario a las agujas del reloj hasta el tope.

A continuación, gira el dial negro en el sentido de las agujas del reloj de 2 a 8 clics (dependiendo del peso del ciclista). La mayoría de los ciclistas deberían sentirse cómodos con 5 clics como punto de partida. Un ciclista de menos de 54 kg debería empezar con 2 clics.



Mando de compresión FIT4 y ajuste del modo Open



Gíralo en sentido antihorario para abrir



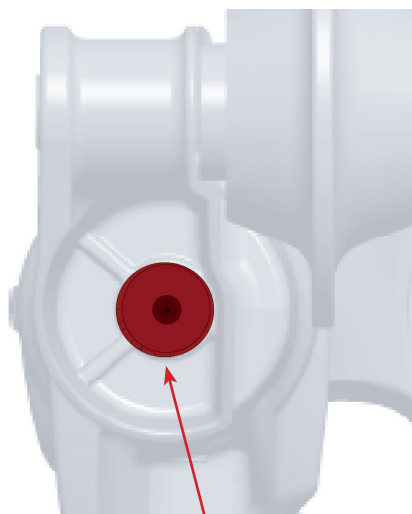
Gíralo en sentido horario para cerrar





Amortiguación de rebote

El ajuste del rebote depende de la presión de aire. Por ejemplo, las presiones de aire más altas requieren un ajuste de rebote más lento. Este ajuste es un dial rojo que se encuentra en la parte inferior de la pata de la horquilla del lado de la transmisión. Ajustamos el rebote desde la posición más abierta o más rápida. Consulta la tabla para ver el ajuste de rebote sugerido. Los números en negrita en la tabla se refieren a cuántos clics en el sentido de las agujas del reloj desde la posición abierta. Fox establece el rebote desde la posición cerrada, por lo que se ha proporcionado entre paréntesis.



Regulador de rebote



Gíralo en el sentido contrario a las agujas del reloj para una extensión más rápida después de la compresión



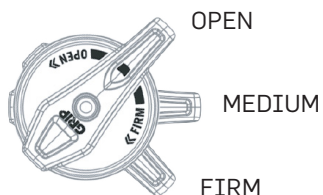
Gíralo en el sentido de las agujas del reloj para una extensión más lenta después de la compresión

Ajustes de rebote sugeridos para el GRIP

Presión de aire de la horquilla	Clics desde ABIERTO (Clics desde CERRADO)
≤72 psi	1 (13)
72-76 psi	2 (12)
76-80 psi	3 (11)
80-84 psi	4 (10)
84-89 psi	5 (9)
89-93 psi	6 (8)
93-97 psi	7 (7)
97-100 psi	8 (6)
100-104 psi	9 (5)
104-107 psi	10 (4)
107-110 psi	11 (3)
110-114 psi	12 (2)
114-118 psi	13 (1)

Amortiguación de compresión

La palanca Micro Adjust de 3 posiciones es útil para realizar ajustes sobre la marcha para controlar el rendimiento de la horquilla. Siempre empezamos con la palanca en la posición totalmente OPEN. La mayoría de los usuarios no necesitarán hacer ningún cambio desde esta posición. La posición MEDIUM puede preferirse en recorridos de XC suaves y la posición FIRM puede usarse yendo y viniendo por senderos o en largas subidas por pistas forestales.



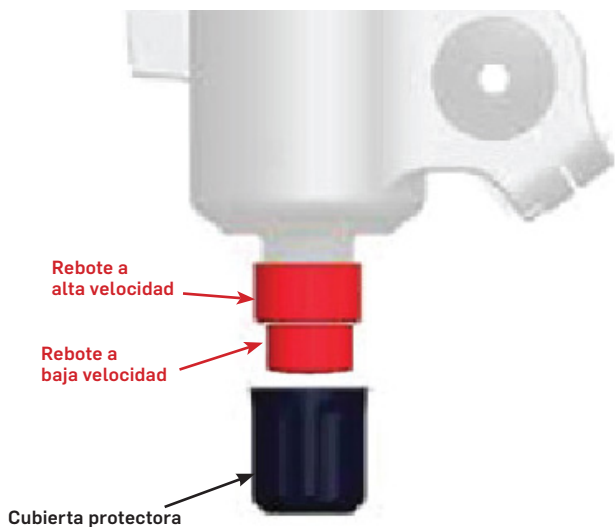
Mando de compresión GRIP







Amortiguación de rebote

El ajuste del rebote depende de la presión de aire. Por ejemplo, presiones de aire más altas requieren un ajuste de rebote más lento. Los cartuchos GRIP2 tienen amortiguación de rebote tanto a baja velocidad como a alta velocidad. Los dos mandos rojos están situados en la parte inferior de la pata de la horquilla por el lado de la transmisión, bajo una cubierta protectora. Ajustamos el rebote desde la posición más abierta o rápida. Consulta la tabla para ver el ajuste de rebote sugerido. Los números en negrita en la tabla se refieren a cuántos clics en el sentido de las agujas del reloj desde la posición abierta. Fox ajusta el rebote desde la posición cerrada, por lo que se ha indicado entre paréntesis.





-  Gíralo en el sentido contrario a las agujas del reloj para una extensión más rápida después de la compresión
-  Gíralo en el sentido de las agujas del reloj para una extensión más lenta después de la compresión

Amortiguación de compresión

El cartucho GRIP2 tiene reguladores para la compresión a baja y alta velocidad en la parte superior de la pata derecha de la horquilla. El dial exterior azul ajusta la compresión a alta velocidad y el dial interior negro ajusta la compresión a baja velocidad. Ajustamos la compresión desde la posición abierta o la más rápida, así que empieza girando los diales de compresión azul y negro en el sentido contrario a las agujas del reloj hasta el tope. A continuación, gira el dial azul en el sentido de las agujas del reloj 3 clics hacia dentro y gira el dial negro 2 clics hacia dentro.



Mando de compresión GRIP2

-  Gíralo en sentido antihorario para abrir
-  Gíralo en sentido horario para cerrar

Ajustes de rebote sugeridos para el GRIP2

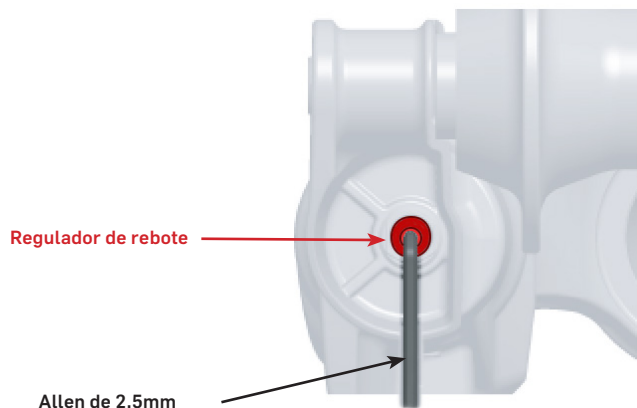
Presión de aire de la horquilla	34/36/38	Presión de aire de la horquilla	40
	LSR / HSR		LSR / HSR
	Clics desde ABIERTO (Clics desde CERRADO)		Clics desde ABIERTO (Clics desde CERRADO)
≤72 psi	6 / 1 (9 / 8)	≤52 psi	6 / ABIERTO (10 / 10)
72-76 psi	7 / 1 (8 / 7)	52-58 psi	7 / 1 (9 / 9)
76-80 psi	8 / 2 (7 / 6)	58-64 psi	8 / 2 (8 / 8)
80-84 psi	8 / 2 (7 / 6)	64-68 psi	8 / 2 (8 / 8)
84-89 psi	9 / 3 (6 / 5)	68-72 psi	9 / 3 (7 / 7)
89-93 psi	9 / 3 (6 / 5)	72-76 psi	9 / 3 (7 / 7)
93-97 psi	11 / 4 (5 / 4)	76-80 psi	10 / 4 (6 / 6)
97-100 psi	12 / 5 (4 / 3)	80-84 psi	11 / 5 (5 / 5)
100-104 psi	12 / 5 (4 / 3)	84-87 psi	11 / 5 (5 / 5)
104-107 psi	13 / 6 (3 / 2)	87-90 psi	12 / 6 (4 / 4)
107-110 psi	14 / 7 (2 / 1)	90-94 psi	13 / 7 (3 / 3)
110-114 psi	14 / 7 (2 / 1)	94-97 psi	13 / 7 (3 / 3)
114-118 psi	15 / 8 (1 / 0)	97-101 psi	14 / 7 (2 / 2)







Amortiguación de rebote

El ajuste del rebote depende de la presión de aire. Por ejemplo, presiones de aire más altas requieren un ajuste de rebote más lento. Este ajuste es un mando rojo que se encuentra en la parte inferior de la pata de la horquilla del lado de la transmisión. Se necesita una llave Allen de 2,5 mm para ajustarlo. Ajustamos el rebote desde la posición más abierta o más rápida. Consulta la tabla para ver el ajuste de rebote sugerido. Los números en negrita en la tabla se refieren a cuántos clics en el sentido de las agujas del reloj desde la posición abierta. *Fox ajusta el rebote desde la posición cerrada, por lo que se ha indicado entre paréntesis.*

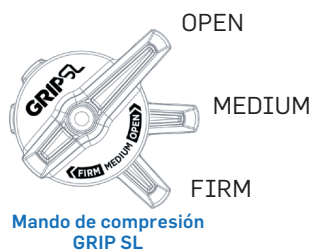


 Gíralo en el sentido contrario a las agujas del reloj para una extensión más rápida después de la compresión

 Gíralo en el sentido de las agujas del reloj para una extensión más lenta después de la compresión

Amortiguación de compresión

Siempre empezamos con la palanca en la posición totalmente abierta. La mayoría de los ciclistas no necesitarán hacer ningún cambio a partir de esta posición. Sin embargo, si necesitas más compresión, la palanca ofrece un ajuste de la compresión a baja velocidad. Completamente cerrada proporciona una sensación de bloqueo en las subidas.



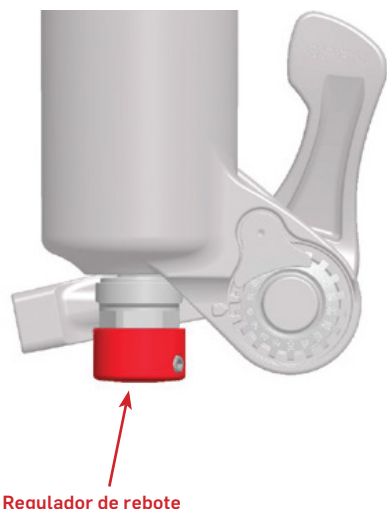
Ajustes de rebote sugeridos para el GRIP SL

Presión de aire de la horquilla	Clics desde ABIERTO (Clics desde CERRADO)
≤72 psi	1 (13)
72-76 psi	2 (12)
76-80 psi	3 (11)
80-84 psi	4 (10)
84-89 psi	5 (9)
89-93 psi	6 (8)
93-97 psi	7 (7)
97-100 psi	8 (6)
100-104 psi	9 (5)
104-107 psi	10 (4)
107-110 psi	11 (3)
110-114 psi	12 (2)
114-118 psi	13 (1)



Amortiguación de rebote

El ajuste del rebote depende de la presión de aire. Por ejemplo, las presiones de aire más altas requieren un ajuste de rebote más lento. Este ajuste es un dial rojo que se encuentra en la parte inferior de la pata de la horquilla del lado de la transmisión. Ajustamos el rebote desde la posición más abierta o más rápida. Consulta la tabla para ver el ajuste de rebote sugerido. Los números en negrita en la tabla se refieren a cuántos clics en el sentido de las agujas del reloj desde la posición abierta. Fox establece el rebote desde la posición cerrada, por lo que se ha proporcionado entre paréntesis.



Gíralo en el sentido contrario a las agujas del reloj para una extensión más rápida después de la compresión



Gíralo en el sentido de las agujas del reloj para una extensión más lenta después de la compresión

Ajustes de rebote sugeridos para el GRIP X

Presión de aire de la horquilla	Clics desde ABIERTO (Clics desde CERRADO)
≤72 psi	1 (13)
72-76 psi	2 (12)
76-80 psi	3 (11)
80-84 psi	4 (10)
84-89 psi	5 (9)
89-93 psi	6 (8)
93-97 psi	7 (7)
97-100 psi	8 (6)
100-104 psi	9 (5)
104-107 psi	10 (4)
107-110 psi	11 (3)
110-114 psi	12 (2)
114-118 psi	13 (1)

Amortiguación de compresión

El cartucho GRIP X tiene reguladores para la compresión a baja y alta velocidad en la parte superior de la pata derecha de la horquilla. El dial exterior ajusta la compresión a alta velocidad y el dial interior ajusta la compresión a baja velocidad. Ajustamos la compresión desde la posición Open o más rápida. Comienza girando ambos diales de compresión en sentido antihorario hasta el tope. Consulta los números en negrita en la tabla de la derecha como punto de partida para tus ajustes. Fox ajusta la compresión desde la posición cerrada, por lo que se ha proporcionado entre paréntesis.



Mando de compresión a baja velocidad (LSC) GRIP X



Mando de compresión a alta velocidad (HSC) GRIP X



Gíralo en sentido antihorario para abrir



Gíralo en sentido horario para cerrar

Ajustes de compresión sugeridos para el GRIP X

Peso del ciclista	LSC	HSC
	Clics desde ABIERTO (Clics desde CERRADO)	Clics desde ABIERTO (Clics desde CERRADO)
<120 [lbs] <54 [kg]	3 (13)	4 (11)
120-150 [lbs] 54-68 [kg]	4 (12)	5 (10)
150-180 [lbs] 68-81 [kg]	5 (11)	6 (9)
180-210 [lbs] 81-95 [kg]	6 (10)	7 (8)
210-240 [lbs] 95-109 [kg]	7 (9)	8 (7)
>240 [lbs] >109 [kg]	8 (8)	9 (6)



Amortiguación de rebote

El ajuste del rebote depende de la presión de aire. Por ejemplo, presiones de aire más altas requieren un ajuste de rebote más lento. Los cartuchos GRIP X2 tienen amortiguación de rebote tanto a baja velocidad como a alta velocidad. Los dos mandos rojos están situados en la parte inferior de la pata de la horquilla por el lado de la transmisión, bajo una cubierta protectora.

Ajustamos el rebote desde la posición más abierta o rápida. Consulta la tabla para ver el ajuste de rebote sugerido. Los números en negrita en la tabla se refieren a cuántos clics en el sentido de las agujas del reloj desde la posición abierta. *Fox ajusta el rebote desde la posición cerrada, por lo que se ha indicado entre paréntesis.*



↻ Gíralo en el sentido contrario a las agujas del reloj para una extensión más rápida después de la compresión

↻ Gíralo en el sentido de las agujas del reloj para una extensión más lenta después de la compresión

Amortiguación de compresión

El cartucho GRIP X2 tiene reguladores para la compresión a baja y alta velocidad en la parte superior de la pata derecha de la horquilla. El dial exterior ajusta la compresión a alta velocidad y el dial interior ajusta la compresión a baja velocidad. Ajustamos la compresión desde la posición Open o más rápida. Comienza girando ambos diales de compresión en sentido antihorario hasta el tope. Consulta los números en negrita en la tabla de la derecha como punto de partida para tus ajustes. *Fox ajusta la compresión desde la posición cerrada, por lo que se ha proporcionado entre paréntesis.*



Mando de compresión a baja velocidad (LSC) GRIP X2



Mando de compresión a alta velocidad (HSC) GRIP X2

↻ Gíralo en sentido antihorario para abrir

↻ Gíralo en sentido horario para cerrar

Presión de aire de la horquilla [PSI]	Fox 34/36/38/40 Ajustes de rebote sugeridos		Fox Podium Ajustes de rebote sugeridos	
	LSR	HSR	LSR	HSR
≤ 64 psi	5 (11)	0 (8)	3 (13)	0 (8)
64-68 psi	5 (11)	0 (8)	3 (13)	1 (7)
68-72 psi	6 (9)	1 (7)	4 (12)	2 (6)
72-76 psi	7 (8)	1 (7)	6 (10)	2 (6)
76-80 psi	8 (7)	2 (6)	6 (10)	2 (6)
80-84 psi	8 (7)	2 (6)	7 (9)	3 (5)
84-89 psi	9 (6)	3 (5)	7 (9)	3 (5)
89-93 psi	9 (6)	3 (5)	8 (8)	4 (4)
93-97 psi	11 (5)	4 (4)	9 (7)	4 (4)
97-100 psi	12 (4)	5 (3)	10 (6)	5 (3)
100-104 psi	12 (4)	5 (3)	11 (5)	5 (3)
104-107 psi	13 (3)	6 (2)	12 (4)	5 (3)
107-110 psi	14 (2)	7 (1)	13 (3)	6 (2)
110-114 psi	14 (2)	7 (1)	14 (2)	7 (1)
114-118 psi	15 (1)	8 (0)	15 (1)	8 (0)

Ajustes de compresión sugeridos para el GRIP X2

Peso del ciclista	LSC	HSC
	Clics desde ABIERTO (Clics desde CERRADO)	Clics desde ABIERTO (Clics desde CERRADO)
<120 [lbs] <54 [kg]	3 (13)	1 (7)
120-150 [lbs] 54-68 [kg]	4 (12)	2 (6)
150-180 [lbs] 68-81 [kg]	5 (11)	3 (5)
180-210 [lbs] 81-95 [kg]	6 (10)	4 (4)
210-240 [lbs] 95-109 [kg]	7 (9)	5 (3)
>240 [lbs] >109 [kg]	8 (8)	6 (2)

